

TITRES ET TRAVAUX
RAPPORT D'ACTIVITÉ
ET
PRODUCTION SCIENTIFIQUE
Carlos Canudas-de-Wit
Directeur de Recherche DR1 au CNRS

GIPSA-Lab
UMR CNRS 5216 B.P. 46, 38402
Département d'Automatique de Grenoble
ST Martin-d'Hères, France
carlos.canudas-de-wit@gipsa-lab.fr
<http://www.gipsa-lab.grenoble-inp.fr/> carlos.canudas-de-wit/
<http://necs.inrialpes.fr/>

30 août 2014

Résumé

Ce dossier concerne ma candidature pour une promotion au poste de Directeur de Recherche Classe Exceptionnelle. Il est constitué de trois parties. La première décrit les travaux et l'activité scientifique depuis mi-2006 (date du passage à DR1) jusqu'à ce jour, la deuxième décrits les travaux depuis mon arrive au CNRS en 1998 jusqu'au mi-2006 et concerne essentiellement le dossier DR1. Cette partition a pour objectif de permettre une évaluation plus claire de mes contributions, dans le cadre de la demande de promotion de DR1 vers DRE. A la fin de cette première partie, sont présentés quelques éléments chiffrés permettant une évaluation quantitative de mes travaux pour la période Sept. 2006-14. La liste complète des publications est indiquée en troisième partie du rapport.

Table des matières

I	Achievements : June 2006-2014	6
1	Highlights	7
1.1	The NeCS team	7
1.2	City-Lab : The Grenoble Traffic Lab (GTL) and its associated projects	9
2	Scientific responsibilities	12
2.1	Boards and Scientific Societies	12
2.2	Expert and technical Committees	12
2.2.1	International	12
2.2.2	European	13
2.2.3	National	13
2.3	Journals, Conferences and Workshops	13
2.3.1	Journal responsibilities	13
2.3.2	Conferences responsibilities	14
2.3.3	Workshops responsibilities	14
2.3.4	Selected distinctions and invitations	14
3	Research grants	16
3.1	European Grants	16
3.2	National Grants	17
4	Industry and transfers	18
4.1	Industry contracts	18
4.2	Patents	18
4.3	Transfers	18
5	Advising, teaching and dissemination,	20
5.1	Advising	20
5.1.1	Posdocs	20
5.1.2	Ph.D.-in progress	20
5.1.3	Ph.D.-defended	21
5.1.4	Masters	21
5.1.5	Bachelor students	22

5.2	Teaching, dissimulation	22
6	Research Topics 2006-12	23
6.1	Distributed estimation and control of transportation systems	23
6.1.1	Ramp Metering Control	24
6.1.2	Variable speed limit	25
6.1.3	Traffic Modeling and Prediction	26
6.1.4	Control of communicating vehicles in urban environment	27
6.2	Collaborative control and source seeking	28
6.3	Communication and control co-design in Controlled Systems	30
6.3.1	Differential Coding for networked controlled systems	30
6.3.2	Energy-aware and entropy coding in NCS	31
6.3.3	Passivity design for asynchronous interconnected systems	32
6.3.4	Remote Stability under uncertain communication	33
6.3.5	Control, Communication and computation co-design	33
6.4	Application domains	34
6.4.1	Adaptive Control of the Boost DC-AC Converter	34
6.4.2	Advanced Control Design for Voltage Scaling Converters	34
6.4.3	Observers design for multi-sensor systems : application to HDI engines	35
6.4.4	Vehicle control	35
6.4.5	Various	36
7	Assessment in the research production	37
II	Recherche (1988-2006)	39
8	Grand lignes	40
8.1	Quelle recherche pour quel objectif	40
8.2	Évolutions des thèmes principaux de recherche	42
8.2.1	Frottement : un fil conducteur	42
8.2.2	Les robots : une source d'inspiration pour des nouvelles théories de commande	42
8.2.3	Moteurs électriques : exemple de valorisation de la recherche	43
8.2.4	Automobile : 11 ans de collaboration avec Renault	43
8.3	Mobilité : mission de longue durée à Seville	44
8.4	Production scientifique en chiffres	44
9	Thématiques de recherche (jusqu'au 2006) : description détaillée	46
9.1	Modélisation, et Commande des Systèmes avec frottement	46
9.1.1	Commande à haute-fréquence.	47
9.1.2	Commande des systèmes entraînés par des frottements.	48
9.1.3	Compensation par modulation adaptative des impulsions.	48

9.1.4	Compensation adaptative d'excentricité, et frottement ellipsoïdaux.	48
9.1.5	Commande à gain pré-programmé.	49
9.1.6	Modélisation et Estimation des forces de contact pneu/sol.	49
9.1.7	Compensation des vibrations dans des structures de forage pétrolier.	49
9.2	Commande des moteurs à induction.	50
9.2.1	Commande à Énergie minimale : OPEC	51
9.2.2	Commande sans capteur.	52
9.3	Commande des systèmes mécaniques avec des contraintes non-holonomes.	52
9.4	Commande des Robots	54
9.4.1	Identification de paramètres.	54
9.4.2	Robots sous-marine	55
9.4.3	Robots Marcheurs	56
9.4.4	Commande des robots en force et position.	57
9.5	Commande des véhicules	58
9.5.1	Poids lourds et bus urbains	58
9.5.2	Modélisation et estimation des forces de contact pneu/sol.	59
9.5.3	Direction électrique assistée (DAE).	59
9.5.4	La conduite par fil SbW (steer-by-wire).	59
9.5.5	Commande optimale d'embrayage sec.	60
9.5.6	Contrôle de inter-distance	61
9.5.7	Commande du flux de véhicules.	62
9.6	Stabilisation des systèmes non-linéaires	62
9.6.1	Stabilisation par haut-gain.	62
9.6.2	Stabilisation orbitale.	62
9.6.3	Extincteur des oscillations	63
9.6.4	Commande robuste.	64
9.6.5	Systèmes hybrides : application aux systèmes de puissance.	64
9.7	Commande des systèmes par réseaux	65
9.7.1	Stabilisation par réseaux avec des retards	65
9.7.2	Tele-operation	66
9.7.3	Commande du pendule inverse à distance (réseau TCP/IP).	66
9.7.4	Modulation différentielle pour les systèmes embarqués contrôlés à travers des réseaux.	67
10	Rayonnement scientifique	69
10.1	Collaborations internationales	69
10.2	Séjours à l'étranger	69
10.3	Comités de programme, comités éditoriaux	70
10.4	Jurys de thèse, HDR	71

11 Gestion de la recherche	73
11.1 Direction d'équipes/projets	73
11.2 Organisation de manifestations	73
11.3 Responsabilités nationales et internationales	74
12 Formation par la recherche et encadrement	76
12.1 Direction de thèses de doctorat	76
12.2 Direction de Thèses C.N.A.M.	77
12.3 Encadrement de DEA	77
12.4 Encadrements de stages et postdocs	78
13 Activités d'enseignement et vulgarisation	81
13.1 Enseignement supérieur	81
13.2 Vulgarisation : écoles d'été.	81
13.3 Vulgarisation : séminaires à l'étranger.	82
14 Valorisation de la recherche	83
14.1 Contrats et collaboration industrielles	83
14.2 Brevets	84
14.3 Transfert de Technologie	84
14.4 Prototypes	85
14.5 Consultance	88
III Production scientifique : publications	89
15 Production scientifique : publications	90
Ouvrages	90
Journaux	91
Conférences	96
Brevets	110
Rapports	111

Curriculum Vitae

CANUDAS-DE-WIT, Carlos Alfonso né le : 19 Nov. 1958, à Villahermosa, Tabasco, Mexico.
Nationalité : Française. **Adresse personnelle** : 260, Chemin de Cressanet, 38330, Saint Ismier, France. Tel : 06 85 73 70 16.

ÉTUDES ET DIPLÔMES.

- 1980 Diplôme d’Ingénieur Electronicien et Communications, à l’Institut Technologique de Monterrey, Mexique.
- 1982-83 Diplôme d’Ingénieur en Automatique : Section Spéciale Automatique, au Laboratoire d’Automatique de Grenoble (LAG), ENSIEG.
- 1983-84 D.E.A en Automatique et Traitement du Signal au Laboratoire d’Automatique de Grenoble (LAG), ENSIEG.
- 1985 Séjour au Laboratoire d’Automatique “Lund Institute of Technology”, Suède. Durée : 10 mois.
- 1987 Thèse de Doctorat de l’I.N.P.G. au Laboratoire d’Automatique de Grenoble. “Commande Adaptative des Procédés Partiellement connus : théorie et applications”. Publié par Elsevier Science Publisher, 264 pages.
- 1988-1997 Chargé de recherche au CNRS, au Laboratoire d’Automatique de Grenoble.
- 1997-2006 DR2 au Laboratoire d’Automatique de Grenoble.
- Depuis 2006 DR1 à GIPSA-Lab.

EXPÉRIENCE INDUSTRIELLE

- 1980-81 Supervision et Commande des systèmes automatisés de forage, a l’Institut de Pétrole au Mexique.
- 1981-82 Réseaux de communication des données (réseaux locaux), au Centre de Recherche de l’Institut National Polytechnique (CIVESTAV), Mexique.
- 1983-89 Responsable des projet sur la commande de robots industriels, au Laboratoire d’Automatique de Grenoble, en coopération avec Renault- Automation.
- 1987-88 Création d’une société de service en Automatique (E.D.A. : Études et Développement en Automatique)

Première partie

Achievements : June 2006-2014

Chapitre 1

Highlights

This chapter describes some highlights of my efforts in term of launching innovative research lines, structuring and consolidating a group in the area of Networked Controlled Systems (NCS). The rest of the chapters of this report describe in more detail the specific achievements in period Sept 2006-2014.

1.1 The NeCS team

During the consider period, my main effort was devoted to the foundation of a new research group in an innovative area of Networked Controlled Systems (NCS). This research domain was initiated around 2000 in USA, and did had an important impact in the control system research activities and control societies. Originally the area was specifically focused toward control over networks (including delays, lost of packages, communication protocols, fading, etc.), and then was expanded including wider aspects of system in networks like : multi-agent system, consensus, optimal coverage, multi-hop networks, etc. The area also have opening towards computation aspects which impact the latencies and quality during for instance the coding process, and touch at the side of decentralized and event-based control design. The application domain concerning NCS is growing and includes networks systems in ; buildings, traffic roads, biology, robotics, among other. The road transportation area is the main domain of application of our team at this moment. The research activity in the NCS area, gave born to several new conferences, symposiums ; the most notorious are the IFAC-conference on Network Control Systems NeCSYS (our team organized the second one in 2010, and I was the general chair), and the CPS-Conferences in which we get the more and more involved (i.e. this year I participate to the working group WG1 “Systems of Systems in transportation and logistics” of the support action CPSoS “Towards a European Roadmap on Research and Innovation in Engineering and Management of Cyber-physical Systems of Systems”, led by TU Dortmund). This ampliation of topics is now known under the more general name of Control of Network Systems (i.e. the analysis and control of dynamic systems with a network structure or whose operation is supported by networks and operate al large scale). As a recognition of of the substantial growing and the importance of this domain, the IEEE-Control system Society operation board did decide to launch a new *IEEE-Transactions on Control of Network Systems*, in 2013 (I form part of the Editorial board of this new journal), and participate to the launching Symposium on the CONTROL of NETWORK Systems (SCONES) will be held on October

27-28, 2014 in Boston, Massachusetts.

My efforts during the period 2006-14 have been substantially focussed towards the construction and latter the consolidation of a solid research group in this new area with international competitiveness and visibility. For that, I initiated the NeCS (Networked Controlled Systems) which is a joint CNRS (GIPSA-lab)-INRIA team. The team is a bi-located at INRIA (Montbonnot) and at the GIPSA-lab (at the Grenoble campus). The team was created in 2007 with the goal to develop a new control framework for assessing problems raised by the consideration of issues of control co-design with communication and computations, and as a reply to the raising scientific domain of control over/of network systems. The team did lead an EU project FedNetBack, and was also involved in several other EU and national projects (HYCON2, MOCOPO, CONNECT, ARAVIS, VOLHAND). The team has also B-to-B activities with several industries and research centers, such as AIRBUS, IFP-EN, IFREMER, Ideol, and more recently with ALSTOM-HYDRO (at Grenoble). The application domains concerned ; multi-robot flocking, traffic prediction and control, distributed sensor estimation, energy-aware control of distributed sensors and SoC. In terms of Human capital, the team succeeded to recruit 2 CR (one CNRS ; A. Seuret, and one INRIA ; F. Garin), and 2 MC (a UJF-CNRS Chair ; A. Kibangou, and a UJF ; H. Fouratti). Up to June 2012 the team was composed of 6 full members and topics were mainly centered on co-design aspects.

A. Seuret did moved to LAAS in Sept 2012, and D. Simon to Montpellier in Fev. 2013. Due to those staff changes, and owing to a broad spectrum of expertise of the team, we are now, able to contribute in more different aspects of networked systems with particular focus on scalability, distributed, resiliency and geometric properties of the networks. In March 2013 the scientific goals of the team were redefined for the next 4 years. In the future the team will leave co-design aspects, already treated since its creation in 2007, in favor of general problems on control of large scale complex network systems, which involve the analysis and control of dynamical systems with a network structure or whose operation is supported by networks. Owing to Tools for system analysis and algorithm design have been enlarged from standard control tools to other techniques, involving distributed optimization, graph analysis, multi-linear algebra and data mining. Our contributions encompass both theoretical and practical challenges in a quite balanced way.

A first step toward such re-orientation were carried out in 2013 when a substantial personal efforts were invested in leading a EU-STREP proposal for the FP7 Objective ICT-2013.3.4 Advanced computing, embedded and control systems. As a scientific leader I proposed a collaborative STREP project named SoSmart (System of Systems control management of heterogeneous traffic networks). The project objective was to develop new network control tools for heterogeneous traffic networks (peri-urban, urban, arterial, and multi-modal networks) using the full Grenoble traffic network (see next section) as a show case. The projet aimed at developing a collaborative network control approach specifically addressing innovation towards : i) network-wide data collection systems and uniform software platforms, ii) extensive and secure exchange of information, iii) coordinated/distributed operation of sub-systems, and iv) transferable generic methods for traffic diagnostic and management. Grenoble traffic authorities (DIR-CE, CG38, METRO-Grenoble) were involved as end-users. The project was built on the basis of 4 partners (NeCS, KTH, EPF, Karrus-ITS), It passed the threshold (12/15) but

not the final selection (last accepted project got 12.5/15). Setting and leading the project was a quite important effort. Those efforts were not wasted as they participated to : *i*) a important reflection process about future research challengers for the group, *ii*) and new EU-projects that were submitted in 2014 (i.e. TITAN), and *iii*) for a grand basis for a Advanced-Grant ERC in preparation.

Since 2014 the orientation of my research and the team is then definitively focused on the control and the observation of *large scale complex network* with the urban traffic networks as the main application field. Starting in 2014 we launched two Ph.Ds one in control (Pietro Grandinetti) and other in estimation (Andres Ladino Lopez), and a 2-Year postdoc (Enrico Lovisari) in this domain. They are supported by the SPEEDD EU-STREP FP7-ICT project that started in January 2014.

Additional activities and projects in 20013-14 are :

- kick-off in January 2014 the SPEEDD EU-project (Scalable Proactive Event-Driven Decision making) FP7-ICT-2013-11 call of Big Data, from 20014-17. The SPEEDD project investigates event-detection algorithms and new scalable software architectures. Tools developed in the speed project will allow setting a general platform to test models, predictors and control algorithms as studied actually. A first version of a urban Grenoble simulator developed in the SPEEDD project will serve as a basis for the large-scale and heterogeneous verification of our algorithms.
- Startup of a PH.D CIFRE with ALSTOM-HYDRO at Grenoble on : "Collaborative and reconfigurable resilient control design of hydroelectric powerplants" (PhD Simon Gerwig), 2013-16.
- Submission in May 2014 of the TITAN European training network (ETN) which aims to offspring the next generation of high-profile academic and industrial scientists and engineers specializing in distributed monitoring and control of large-scale intelligent Traffic Systems (expected reply in Sept.14).

1.2 City-Lab : The Grenoble Traffic Lab (GTL) and its associated projects

It is a personal conviction that control systems will not survive without succeeding to tackle problems with high societal and industrial impact and visibility. During the last years I have put a strong effort to lead the concept of a city-lab in the traffic and prediction control area. For this, I initiate the GTL, which consist in a fully and dedicated real-time wireless sensor network along all the south-ring in Grenoble. The technology consist in wireless magnetic sensors allowing to measure velocity, and flux in a particular position of the roads. A great innovation here is that the sensor will be placed so to ensure the best conditions for observability and controllability of the states, and that the granularity and time-sampling will be greatly improved with respect to existing equipments. In addition we will have the possibility to bring those data at our lab are they arrive in real-time. A first set of sensor has been stalled in July 2012, a second set in Fev. 2013 and the rest in July 2013. The full network is composed of a set of 120 sensors installed in places consistent with the observability and

controllability of the network. The society KARRUS-ITS(<http://www.karrus.fr/>), leaded by Denis Jacquet (which was my Ph.D. student in 2003-6 in traffic modeling and control), did participate to the deployment of the GTL sensors network and contribute to its maintenance.

Keeping the good sensor operation is delicate and time-consuming. Since the GTL installation in 2013 we have spend a great effort in validating and monitoring the quality of the data. Several tools were developed inside the team for that. They are openly available at <http://necs.inrialpes.fr/pages/grenoble-traffic-lab.php> and allows for :

- GTL web interface, real-time and predicted traffic indicators (for demo)
- Vehicle counting (monitoring)
- Speed statistics (monitoring)
- Speed calendar (monitoring)

Besides, the collaboration/cooperation with local traffic authorities (DIR-CE and the METRO, and CG38), will allows to open the variable-speed sign actuators to test innovative control design. I am leading a working group of 4 universities (in the context of the HYCON2 EU-project) to compare control algorithms, and where the GTL is used as a show case. As a conclusion of those works we did organized a demonstration day in May 13th (see <http://www.inria.fr/en/centre/grenoble/calendar/hycon2-show-day-traffic-modeling-estimation-and-control>)

Building this GTL brings to the group and to the laboratory an enormous advantage to try algorithm (prediction and control) using real-data and in a true environment. The GTL can be consider the first open-lab at the city scale in the area of traffic prediction and control.

The GTL has also been very much useful to enhance our participation/lead in EU projects. Specifically I have recently lead the SoSmart proposal (see description in previous section). We did also participated in March 2012 to a large IP proposal (PERFECTO), lead by IBM, on the Big-Data program (traffic was a use-case of the project; the proposal was ranked 6th out of 40 submissions, with the acceptance limit being 4). A smaller STREP version of this project named SPEEDD has been re-submitted in April 2013, accepted in Sept 2013 and launched in 2014. It has also been used as a support for the submission of the TITAN project targeting to educate new generation of control specialist in the ITS area (see description above). The GTL was also a useful support for the associate team project COMFORT with Berkeley. The project addresses open issues for Intelligent Transportation Systems (ITS). The goal of these systems is to use information technologies (sensing, signal processing, machine learning, communications, and control) to improve traffic flow, as well as enhance the safety and comfort of drivers. CONFORT is in collaboration with well-known researchers at UC Berkeley : Prof. Roberto Howoritz (Director of PATH), Prof. Pravin Varaya, and Prof. Alexandre Bayen. The project is a great support for exchanging PhDs students (Dominik Pisarsky visit Berkeley from Oct-Dec. 2013, and Giovanni de Nunzio will be in Berkeley from Oct-Dec. 2014). More information on this projet is at <http://necs.inrialpes.fr> (follow the CONFOR projet link).

In terms of visibility a couple of important events have been produced in 2013-14 in connection with the GTL :

- The GTL and its associated activities have been presented in the Keynote talk : "Traffic control : a network perspective". International Workshop on Smart City : Control and Automation Perspective", August, 2013, Hangzhou, China. Sponsored by the IEEE-CSS outreach activities
- The GTL will be reported in the "Impact of Control Technology", 2nd edition, T. Samad and A.M. Annaswamy (eds.), IEEE Control Systems Society, 2014. This report is a collection of two-page flyers, in "Success Stories in Control" and "Challenges for Control Research" categories. The completed flyers are now available at <http://ieeecss.org/general/impact-control-technology-2nd-edition>.
- The demonstration day of HYCON2 in May 2014 at Grenoble. 50 participants all together (HYCON2, local companies, and other national researchers). See details in <http://www.inria.fr/en/centre/grenoble/show-day-traffic-modeling-estimation-and-control>.

From human capital point of view, the activity of the GTL has been carried out by first by a research Eng (Iker Bellicot) from 2012-14 supported by an ADT-INRIA and then partially by HYCON2. In 2014 another two research Engineers will join the activity after the departure of Iker. Rohit Singhal will join the team in Sept 2014 for 2.5 years and will take care also of the full Grenoble traffic simulator. Latter in fall of 2014 another ADT Engineer will replace Iker and it will continue with the GTL software developments for two more years. GIPSA-lab has also contributed with research Engineers to the project. Anton Andreev (IE), and Pascal Bellemain (IE) have also participated to the project. Anton is now in charge to coordinate the whole development (software, interfaces, data quality, etc.), and Pascal help with the development of the maintenance tools for the GTL.

Finally a new project data assimilation between cheap sensing (velocity GPS traces) provided by the society INRIX (filial of Micro-soft), and "Classical" loop detectors from the French traffic agencies, will be launched in Sept 2014. The objective is to merge velocity information with a good spatial distribution, with sparse loop counting to better estimate the total spatio-temporal evolution of the vehicles densities in a city. GTL will be used as a study case together with data provided by INRIX during 2 years. The newcomer Post-doc Enrico Lovisari will participate to the project.

A general description of the GTL tools and associated project is located at the link <http://necs.inrialpes.fr/pages/gtraffic-lab.php>

Chapitre 2

Scientific responsibilities

This section list the main international, European, and national scientific responsibilities including ; scientific societies and boards, expert/evaluation committees and "things tanks", and international collaborations.

2.1 Boards and Scientific Societies

- President of the European Control Association (EUCA) July 2013-2015
- Vice-president of the European Control Association (EUCA) July 2011-2013.
- Member of the EUCA-board 2010 till now.
- Member of the Board of Governor (BoG) of the IEEE Control System Society (CSS). *Elected member* 2012-2016.
- Member of the Board of Governors (BoG) of the IEEE Control System Society (CSS). *Appointed member* 2011.

2.2 Expert and technical Committees

2.2.1 International

- IFAC Member of the technical committees : TC7.1 Automotive Control (since 2005), TC7.4 Transportation systems" (since 2011), and "TC1.5-Network systems" (since 2009)
- Participation to the "International Workshop on the Impact of Control : Past, Present, and Future" at Berchtesgaden, Germany in Oct. 2009.(<http://workshop-impact-control-2009.lsr.ei.tum.de/>). The Workshop is being sponsored by the Institute for Advanced Study (IAS) at the Technische Universität München, the IEEE Control Systems Society, and our FeedNetBAck EU project.
- "International Workshop on Future of Control in Transportation Systems" at Sorrento, Italy, on May 29th 2010 (<http://ieee-iwfct.unisannio.it/>). The Workshop was sponsored by the the IEEE Control Systems Society, and by our FeedNetBAck EU project.
- Co-author of the report "The impact of Control Technology : overview, success stories and research challengers" has been published by the IEEE Control Systems Society, can be accessed

and downloaded free of charge at www.ieeecss.org/main/IOCT-report. This report follows from the previous two workshop mentioned before. The new version of this report (released by end of 2013) will include a short description of our GTL.

- Participation to "International Workshop on Smart City : Control and Automation Perspective", August, 27th-29th 2013, Zangzhou, China. Sponsored by the IEEE-CSS outreach activities.

2.2.2 European

- Participation to several Concertations meetings Panels (contributed to the elaboration of the Work plan for future EU calls) at Brussels, organized by ICT-CORDIS, in the period 2009-11, 2 meetings per year. (Leaders of EU projects are currently invited to such meetings).
- European project Evaluator (Streeps and IPs) on the following programs :
 - Cognitive Systems and Robotics, FP7-ICT-2012.
 - Cognitive Systems and Robotics, FP7-ICT-2011
 - Factories of the Future : FP7-2010-NMP-ICT-FoF
 - FP6 program on Embedded Systems and Control 2010
- European reviewer for the Chat project (<http://www.ict-chat.eu/>)

2.2.3 National

- Member of the AERES Evaluation committee for the RTRA STAE, May 2013.
- Member of the COST-INRIA (Conseil d'Orientation Scientifique et Technologique) 2008-10
- Member of the "Cousineau"-Committee , for the definition of the "Institut National pour les sciences et technologies de l'information".
- Member of the "Expert Committee" at CNRS-section 07, 2009
- Member of the AERES evaluation committee for INRIA-Rocquencourt, 2008.

2.3 Journals, Conferences and Workshops

2.3.1 Journal responsibilities

- Associated Editor of the *IEEE Trans. on Control of Network Systems* (IEEE-CNS) Since, June 2013.
- Associated Editor of the *IEEE Trans. on Control Systems Technology* (IEEE-TCST) Since, January 2013.
- Editor of the *Asian Journal of Control* Since 2010.
- Guest editor of the two-part special issue of the International journal of Robust and Nonlinear Control on "Control with Limited Information". Issue Edited by Ivan Lopez Hurtado, C. T. Abdallah, and C. Canudas-de-Wit (Volume 19 Issue 16 - 10 November 2009 (1767-1870) Special Issue : Control under limited information : Special issue (Part I) and Volume 19 Issue 18 - December 2009 (1973-2080) Special Issue : Control under limited information : Special issue (part II)

- Guest editor of a special issue of the IEEE Robotics and Automation Society Magazine on walking and running robots, 2007.

2.3.2 Conferences responsibilities

- General Chair of the European Control Conference, Strasbourg July 2014.
- General Chair of the second IFAC Workshop on Distributed Estimation and Control in Networked Systems (<http://necsys2010.inrialpes.fr/>), an international workshop which was held in Annecy on Sept. 13-14th.
- Program Chair of the IEEE Conference on Control Applications, CCA09, Saint Petersburg, Russia, June 2009.
- Chair of Invited-sessions IEEE CCA07, MSC, Singapore 2007
- Member of several International Programmes committees (IPC) : IEEE-CDCs, IEEE-ACCs, IEEE-CCA, IFAC-NeCSY, IFAC-Mechatronics, etc. (i.e. 2007 IEEE/ASME International Conference on Advanced Intelligent Mechatronics, 2008 IEEE Conference on Decision and Control, 10th International Workshop in Advanced Motion Control 2009, IEEE Conference on Automation Science and Engineering, 2009, IFAC NeCSYS 2009, 2010, 2012...).

2.3.3 Workshops responsibilities

- The demonstration day of HYCON2 in May 2014 at Grenoble. 50 participants all together (HYCON2, local companies, and other national researchers). See details in <http://www.inria.fr/en/centre/grenoble/show-day-traffic-modeling-estimation-and-control>.
- Organization of the 3rd annual Consortium Meeting of the FeedNetBack European project, held at INRIA in Montbonnot, on October 11-12th 2011. A review meeting session and scientific presentations from peoples involved in the FeedNetBack project have been organized.
- Organization of the 2nd FeedNetBack Annual Workshop (<http://necsys2010.inrialpes.fr/satellite-event/>).
- Organization of a workshop at Courchevel : "Cases-study definitions" for the European FeedNetBack project (January 29-30, 2009) ;
- Organization of the Seminar "Control Vistas", INRIA-RA, May 22th 2007, Montbonnot (K.J. Astrom, A. Benveniste, C. Canudas de Wit).

2.3.4 Selected distinctions and invitations

- Distinguished lecturer of the IEEE Control System Society . From January 2013 till December 2015.
- Best student paper award : Ph.D. Dolcini IFAC-Symposium on Mechatronic Heidelberg, 2006
- International invited lectures (15-20 hrs) : US Sevilla (Spain 2000, 2002, 2005-7-9-10-11), UDP Madrid (Spain 2012), UdV Valencia (Spain 2012). (2-4 hrs) : Trento HYCON2 workshop (Italy 2011), LCCC-Workshops Lund university (Sweden, 2012),

- Invited plenaries : 1) "Fun-to-drive by feedback". Plenary session on the IEEE Conference on Decision and Control, Dec. 2005, Sevilla, Spain . 2) "Virtual constraints : a tool for walking robot control and balancing". IFAC workshop SYROCO'03, Wroclaw, Poland
- Invited professor at the University of Seville from Sept.2004 till June 2005.
- Invited researcher at Ford Scientific Research Center 4-weeks July 2000.

Chapitre 3

Research grants

3.1 European Grants

- **SPEEDD January 2014-17.** Scalable ProactivE Event-Driven Decision making is a STREP project from the FP7-ICT-2013-11. It includes partners from academia (CNRS, ETH, NCSR, Technion, UB), and from industry (IBM-Israel, and Feedzai). The projects deals with issues of Big data handling and real-time event-driven decision process. It addresses two application domains on Big data; traffic management and credit car fraud detection. I am leading the first application domain with an extension to urban networks. Issues of scalability concerning decentralized prediction and control are in order. The project budget is 3 ME, and the budget for our group is 492 KE. The project was launched in January 2014 and last for 3 years. We engaged 2 PhDs, 1 post-doc and 1 research Engineer in 2014, see <http://speedd-project.eu/>
- **FeedNetBACk 2008-12.** The FeedNetBack (<http://feednetback.eu>) STREP-project at the FP7-ICT-2007-2 was running from Sept 2008 till January 2012. It was coordinated by myself, and gathers researchers from academia (INRIA-NeCS, ETH Zurich, Universidad de Sevilla, KTH Stockholm, Universita di Padova) and from industry (Ifremer, Vodera, Vitamib, Intellio and OMG). The objective of the FeedNetBack proposal was to generate a co-design framework, to integrate architectural constraints and performance trade-offs from control, communication, computation, complexity and energy management. (Total Budget 3 ME, Budger for my group 590 KE).
- **HYCON2 2010-14** (Highly-Complex and Networked Control Systems) is a Network of Excellence, within the European Union’s FP7. It has started on September 2010, for a duration of three years. Coordinated by Françoise Lamnabhi-Lagarrigue (L2S-CNRS), it involves 26 academic institutions from all over Europe. I was coordinator of the show case and the working group corresponding to the operation of the freeway network around the Grenoble area (see <http://necs.inrialpes.fr/pages/projects/hycon-2-and-other-past-projects.php>). Total budget is 4 ME, Budget for my group is 220 KE.
- **CPSoS I** participate to the working group WG1 “Systems of Systems in transportation and logistics” of the support action CPSoS “Towards a European Roadmap on Research and Innovation in Engineering and Management of Cyber-physical Systems of Systems”, led by TU

Dortmund (Germany). No funds are allocated to this participation.

3.2 National Grants

- **COMFORT 2014-16** "COntrol and FORecasting in Transportation networks" is an Associate Team between INRIA project-team NeCS and the Berkeley University project PATH, funded from 2014 to 2016 by the Inria International affairs department. The project addresses open issues for Intelligent Transportation Systems (ITS). I am the scientific lead of this project, see <http://necs.inrialpes.fr>. Then projects and then COMFORT. Funds are basically for traveling and visit stays (12 KE/year).
- **VOLHAND 2008-13** (VOLant pour personne âgée et/ou HANDicapée) is a project funded by the ANR (National Research agency). The project is led by the LAMIH, I am responsible at the level of my group. The project aims at developing a new generation of Electrical power-assisted steering specifically designed for disabled and aged people. <http://www.univ-valenciennes.fr/volhand/>. Total Budget 850 KE. Budget for the group 175 KE.
- **MOCOPo 2011-13** (Measuring and mOdeling traffic COngestion and pollution) is a project funded by the French Ministry in charge of Transport (MEDDTL), through the PREDIT (Research and Innovation in Land Transport Program). The project began in January 2011 and will end up in December 2013. The project is led by the LICIT-IFSTAR, and the activity in the NeCS team is coordinated by myself. The project deals with the problem of estimation of traveling time bounds, and includes data from the field. Total Budget 450 KE. Budget for our team 80 KE.
- **CONNECT 2007-11** (CONtrol of NETworked Cooperative sysTems) is a project funded by the ANR (National Research agency). It was coordinated by myself. The project deals with the problem of controlling multi-agent systems interconnected by a heterogeneous wireless communication network. In particular the project target the control of a cluster of agents composed of autonomous underwater vehicles and marine surface vessels. The partners are the NeCS team, Ifremer robotics lab. and the ROBOSOFT and Prolexia companies. <http://www.gipsa-lab.inpg.fr/projet/connect/>. Total budget 540 KE. Budget for my group 240 KE.
- **ARAVIS 2007-2011** (Architecture reconfigurable et asynchrone intégrée sur puce) is a project sponsored by the Minalogic Pole, started for 3 years in October 2007. The project has been extended to december 2011. It will investigate innovative solutions needed by the integration of 22 nano-meter scale future chips. It is headed by STMicroelectronics, the other partners are CEA-Leti, TIMA laboratory and the Sardes and NeCS teams. Total Budget 4ME, Budget for my group (450 KE). See <http://www.minalogic.com/posters/aravis.pdf>

Chapitre 4

Industry and transfers

4.1 Industry contracts

- **ALSTOM 2013-16.** Accompanying contract with ALSTOM (HYDRO-Grenoble) CIFRE (PhD Simon Gerwig) on “Collaborative and reconfigurable resilient control design of hydroelectric powerplants” (co-direction with F. Garin). Contract Budget 45 KE.
- **IFP 2012-15.** Accompanying contract with IFP (Institut Français du Petrole), PhD of Giovanni de Nuzio (co-direction with Ph. Moulin) . Control of communicating vehicles in urban environment Contract Budget 60 KE.
- **IFP 2007-10.** Accompanying contract with IFP (Institut Français du Petrole), in the framework of the CIFRE PhD grant of Riccardo Ceccarelli (co-direction with Ph. Moulin). The goal sought was development of a model-based observer allowing to identify several types of engine failures. Contract Budget 60 KE

4.2 Patents

- **Deposed Patents :** ('P'-stand for patents, for references see the patents section).
 - In collaboration with Renault concerning optimal clutch synchronization : P-[5], P-[6]
 - In collaboration with Renault concerning EPS systems : P-[7], P-[8], P-[9], and P-[10]
 - Within the context of the Aravis project [11] on Digital control devices for pmos transistor board (own by CNRS and INP).

4.3 Transfers

- **GTL 2008-x** As explained before in section 1.2 the GTL is an important infrastructure for : testing and validating our traffic prediction/control algorithms, integrating these algorithms in a software platform for traffic forecasting, being used as a show room. Funds for this sensor wireless networks mainly come from the MSoC program from the UJF (200 KE) and partially from MOCOPO. But a great deal of the effort invested in human capital comes from different EU projects (SPEEDD, and HYCON2) and national programs (MOCOPO), and internal insti-

tutional supports (2-ADT from INRIA), and (part time of 2 Research Engineers from CNRS). Possible transfert to the industry could be envisioned in a latter stage either to Karrus-ITS, or other major companies like INRIX to which our collaboration start in Sept-14.

- The creation in January 2010 of the **start-up KARRUS-ITS** (<http://www.karrus.fr/>).

Chapitre 5

Advising, teaching and dissemination,

5.1 Advising

5.1.1 Posdocs

- Fabio Mordi, Robust traffic forecasting (INRIA, Oct. 2012-14), advised by C. Canudas de Wit.
- Alireza Farhadi, Control under communication constraints (INRIA, Jan. 2010 - Aug. 2011), advised by C. Canudas de Wit
- Federica Garin, Control using efficient coding/decoding algorithms (INRIA, from March to Oct. 2010), advised by C. Canudas de Wit
- Wenjuan Jiang Adaptive video coding for tele-operated systems (LSI Carnot Institute, until Aug. 2010), co-advised by C. Canudas de Wit and O. Sename
- Constantin Morarescu Traffic observer design under constrained operation models (CNRS, until Sept. 2010), advised by C. Canudas de Wit.
- Katerina Stankova. traffic prediction systems (INRIA, 2009-10), advised by C. Canudas de Wit.
- Brandon Moore. Source seeking with multi-agent systems (CONNECT project - 2008-09), Post-Doc advised by C. Canudas de Wit

5.1.2 Ph.D.–in progress

- Andres Ladino Lopez, Estimation in large-scale urban networks. Sept 2014-17. Co-advised by : C. Canudas de Wit, and A. Kibangou.
- Pietro Grandinetti, Control of large traffic networks May 2014-17 co-advised by : C. Canudas de Wit, and F. Garin
- Simon Gerwig, ” Collaborative and resilient control for hydro-power generators”. January 2014-17. Co-advised by : C. Canudas de Wit, and F. Garin
- Giovanni de Nuzio, Control of communicating vehicles in urban environment, Grenoble INP, Sept. 2012 - Sept. 2015, co-advised by C. Canudas de Wit and P. Moulin (IFP Energies Nouvelles).
- Ruggero Fabbiano, Collaborative source localization control for diffusion process, Grenoble INP, Dec. 2011 - Dec. 2014, Advised by C. Canudas de Wit and co-advised F. Garin.

5.1.3 Ph.D.–defended

- Dominik Pisarski, Collaborative Ramp Metering Control : Application to Grenoble South Ring, UJF, Jun. 2011 - Sept. 2014, advised by C. Canudas de Wit.
- Luis Leon Ojeda, Macroscopic modelling, travel demand and flow prediction for Intelligent Transportation Systems, Grenoble INP, Avr. 2011 - June. 2014, co-advised by C. Canudas de Wit and A. Kibangou.
- Valentina Ciarla, Control of a EPS systems for handicap drivers, Grenoble INP, Dec. 2010 - Nov. 2013, co-advised by C. Canudas de Wit, Franck Quaine (UJF) and Violaine Cahouet (UJF).
- Nicolas Cardoso de Castro, Energy-aware communication and control co-design for networked control systems, Grenoble INP, Sept. 2012 advised by C. Canudas de Wit and co-advised by F. Garin.
- Lara Brinon Aranz, Collaborative control of a underwater fleets under communication constraints, Grenoble INP, 18/11/2011, co-advised by C. Canudas de Wit and A. Seuret.
- Riccardo Ceccarelli, The development of a model-based observer for the identification of several types of engine failures, Grenoble INP, 20/09/2012, co-advised by C. Canudas de Wit and P. Moulin (IFP Energies Nouvelles).
- Carolina Albea-Sanchez, Energy-efficient control for Systems on Chips, Grenoble INP, defended in Sept 2010 co-advised by C. Canudas de Wit and F. Gordillo (Univ. Sevilla).
- Jonathan Jaglin, co-advised by C. Canudas and C. Siclet, Grenoble INP, 2006/2009

5.1.4 Masters

- Guilio Bontadini, A new modified model with variable cell for urbain and highways roads (From Pavia University, Italy). Fev.-August 2013, advised by C. Canudas de Wit, and co-advised by A. Ferrata.
- Wenjie Lu, Balancing control for Discrete PDEs in conservation systems, GIPSA-LAB, Apr.-Jun. 2011, advised by C. Canudas de Wit.
- Yijing Chen, Traffic control, GIPSA-LAB, Apr.-Jun. 2011, advised by C. Canudas de Wit.
- Grégory Pichonnier, Software for Traffic interface (CNAM thesis), advised by Carlos Canudas de Wit, Sept-2009-10.
- Diana Stefan, Ramp metering Control. advised by Carlos Canudas de Wit Apr.-Jun. 2010
- Florent Stevenin, Callibration of the AISUM software for the Grenoble south ring. advised by Carlos Canudas de Wit, Apr.-Jun. 2010
- Javier Tordesillas Illan. Optimal control for EPS. Advised by Carlos Canudas de Wit, Vohland project. Apr.-Jun.2010
- Rafael Barreto Jijòn, Observer design for a Oil drill system under transmission delays. advised by C. Canudas de Wit, M2R EEATS, Grenoble-INP Apr.-Jun.2009
- Lara Briñon Arranz, advised by C. Canudas de Wit, M2R EEATS, Ensieg. Apr.-Jun. 2008
- Emmanuel Broutier, co-advised by C. Canudas and O. Sename, M2R EEATS, Apr.-Jun. 2007

5.1.5 Bachelor students

- Jonathan Constant. Component oriented software for traffic fluid models. INRIA, May-August 2012.
- Guillaume Gay, Traffic control, GIPSA-LAB, Feb.-May. 2011, advised by C. Canudas de Wit.
- Pierre Gault, Traffic control, GIPSA-LAB, Feb.-May. 2011, avised by C. Canudas de Wit.

5.2 Teaching, dissimulation

- Seminar. "Optimal games in Traffic Systems", University of Lucca. Italy, May 13th, 2014. Hosted by Prof. A. Bemporá.
- Seminar. "CPS Challengers in Intelligent Transportation Systems". Working group on System of System in transportation and logistics. Towards a European Roadmap on Research and Innovation in Engineering and Management of Cyber-Physical Systems (CPSoS). WÖLLHAF Conference Centre at Düsseldorf International Airport on January 31st 2014. Hosted by Prof. Sebastian Engell.
- Seminar. "Forecasting and control of traffic systems : a network perspective", Institute for systems Theory and Automatic Control. University of Stuttgart, Germany. Nov 12th, 2013. Hosted by Prof. Frank Allgöwer.
- One week seminar. "Advanced control for transportation and vehicular systems" (for Ph.D, master program). Seville (Spain). Sept 2012.
- One week mini-course on Vehicular transportation. (for Ph.D, master program), Valencia (Spain). 28/5–1/6 20012.
- One-week seminar on Modeling and forecasting of Traffic Systems : HYCON2 case study (for Ph.D, master program). Madrid (Spain). 8-12 May 2012.
- Summer School HYCON2 on Complex Systems. Highway Traffic Models, Estimation, and Control Trento (IT), June 21-24 2011.
- Panel on future control directions at the IEEE Conference on Control Applications, Singapore (Coding with minimal information).IEEE Multi-conference on Systems and Control ((MSC'07).
- Summer school on Control systems. Modeling and control of systems with Friction, Barcelona, 2006.

Chapitre 6

Research Topics 2006-12

This section present the main research topic of my research in the considered period. References are at the end of the document and they are index with the following tags :

- C- stands for Conferences
- J- stands for Journals
- B- stands for Books, or Book Chapters
- P- stands for Patents

The presentation is organized in 4-main research topics :

- Distributed estimation and control of transportation system
- Collaborative control and source seeking
- Communication and control co-design in Networked Controlled Systems, and
- Other application domains

6.1 Distributed estimation and control of transportation systems

Different types of commercial technologies in sensor networks allows to finely measure traffic information at distributed points of the road. These include magnetometers WSN technology for vehicle flows and velocity. Using macroscopic fluid-like models is an interesting option to develop innovative traffic management policies able to improve the infrastructure operations. Toward this objective, we have launched the GTL–Grenoble traffic lab, see Section 1.2 for a detailed description. A detail report describing each of the GTL components is available at [9], and has been recently submitted to *IEEE Control Systems Magazine*. The GTL has been a good catalyzer for validating our theoretical findings, and for participating in several collaborative research projects :

- **SPEEDD** (Scalable ProactivE Event-Driven Decision making) is a STREP project from the FP7-ICT-2013-11. It addresses application on handling big data in the domain of traffic management. Our role is to provide scalability solution for traffic prediction and control including urban areas.
- **HYCON2** (Highly-Complex and Networked Control Systems) - an European network of Excellence (NoE) 2010-2014 whose applications domain includes Intelligent Transportation Systems, see <http://necs.inrialpes.fr/pages/research/hycon-2.php> and <http://www.hycon2.eu/> (WP5)

- The **MOCOPo** project is funded by the French Ministry in charge of Transport (MEDDTL), through the PREDIT (Research and Innovation in Land Transport Program). The project began in January 2011 and will end up in December 2013. Our role here is to provide traveling time prediction intervals see <http://mocopo.ifsttar.fr/>
- **ADT-INRIA** 2011-12. This "Action de Développement Technologique" is supporting a 2 year Eng. participating to the GTL construction and software integration. A new ATD for other 2 more year will be launched in Oct. 2014.
- **MSoC** funds from the UJF allows to invest in the wireless sensor platform

The scientific activity focuses on modeling and prediction of traffic flows, ramp metering control, variable speed limit control, and optimal distributed games. This activities are described in detail below, as well as details on GTL and industrial transfert.

6.1.1 Ramp Metering Control

The goal of this activity is the redesign of new control policies (ramp metering) that uses collaborative information from neighbors controlled ramps to control the input flows at the on-ramps, without necessarily go to a completely centralized control design. This approach is an alternative to centralized control designs like C-[134, 135, 136, 137] using the full set of information.

This work has been conducted in two directions ; studying the *optimal steady state balancing*, and design of an *distributed optimal ramp metering* controllers.

Optimal steady state balancing. For the first direction the problem of equilibrium sets for the Cell Transmission Model is studied was studied in C-[178]. The objective is to design the homogeneous distribution of density on the freeway, where the input flows are the decision parameters to be determined. For the proper design of the balanced density the extensive analysis on the structures of equilibria is crucial.

The analysis is carried out for the two different cases, where all sections of the freeway are assumed to be free or congested, respectively. The necessary conditions for the existence of balanced equilibria are formulated. These conditions show, that the key for the design of the balanced states may be the variable speed limiting, which strictly cooperates with the ramp metering. The computational algorithm for the input flows in case of free balance is also provided.

The problem of equilibrium points for the Cell Transmission Model was studied in C-[178]. The structure of equilibrium sets was analyzed in terms of model parameters and boundary conditions. The goal was to determine constant input flows, so that the resultant steady state of vehicle density was uniformly distributed along a freeway (balancing). The necessary and sufficient conditions for the existence of one-to-one relation between input flow and density were derived. The equilibrium sets were described by formulas that allow to design a desired balanced density. A numerical example for the case of a two-cell system was presented. Then in C-[179] , the problem of optimal balancing of traffic density distributions was explored. The optimization was carried out over the sets of equilibrium points for the Cell Transmission Traffic Model. The goal was to find the optimal balanced density distribution, that maximizes both the Total Travel Distance and the total input flow. The optimization was executed in two steps. At the first step, a nonlinear problem to find a uniform density distribution that maximizes

the Total Travel Distance was solved. The second step was to solve a quadratic problem reflecting the trade-off between density balance and input flow maximization. At both steps, decomposition methods were used. The computational algorithms associated to such a problem were given. In C-[185], the application of the idea of optimal balancing of traffic density distribution was presented. It was implemented to the Grenoble South Ring in the context of the Grenoble Traffic Lab. The traffic on the ring is represented by the Cell Transmission Model that was tuned by using real data and Aimsun micro-simulator. A special attention was paid to the calibration of a flow merging model. A large-scale optimization problem was solved by using advanced combinatorial procedures. The main difficulties in the implementation as well as the limitations of the designed software were highlighted. The results of different traffic scenarios on the Grenoble South Ring were numerically analyzed.

Distributed optimal ramp metering. The second direction was to develop a *distributed optimal ramp metering controller*. This study is motivated by two following facts. The first one is to decentralize and parallelize computation for optimal freeway traffic control problem, and thus to reduce computational complexity. The second one is to reduce the lengths of the communication channels, in order to eliminate the probability of information delay or packet loss. This meets a spirit of ‘plug and play’ (PnP), and is beneficial for both, architecture assembling and component replacement (in case of failure). In order to define the functionality for each of this PnP controller, the analysis on both system controllability and conditions for optimality were carried on. The proposed new control objective provides an uniformly distributed (or balanced) vehicle density such that the usage of freeway (measured by the Total Travel Distance and Total Input Volume) is maximized.

In R-[10], the optimization is performed in a distributed manner by utilizing the controllability properties of the freeway network represented by the Cell Transmission Model. By using these properties, we identify the subsystems to be controlled by local ramp meters. The optimization problem is then formulated as a *noncooperative Nash game* that is solved by decomposing it into a set of two-players hierarchical and competitive games. The process of optimization employs the communication channels matching the switching structure of system inter-connectivity. By defining the internal model for the boundary flows, local optimal control problems are efficiently solved by utilizing the method of Linear Quadratic Regulator. The developed control strategy is tested via numerical simulations in two scenarios for uniformly congested and transient traffic, and presented in the show-day of HYCON2 in May 2014. Part of this research was realized in UC Berkeley during the visit of Dominik Pisarski in PATH laboratory, and form part of the PhD thesis of Dominik which will be defended in 16th Sept. 2014. A paper summarizing this result is under review at *IEEE Trans. on Control of Network Systems*.

Those work will continuing with the thesis of Pietro Grandinetti started in May 2014 in the context of the SPEEDD project, and will be extended toward large urban traffic networks.

6.1.2 Variable speed limit

Control methods like varying speed limit are options to improve the traffic congestion. Variable speed changes the relation between flux and densities in the free-flow mode. The method consists in regulating the speed limits. By this mean, the maximum capacity of the regulated section can be

modified. Lowering the speed limits will result in a reduction of the road maximum capacity. This will reduce the growth rate of the congestion front spreading, but it will increase the traveling time along the free-flowing section.

In C-[172], the problem of front congestions control is treated. For this, we have introduced a new traffic lumped model with only two cells (one free, and another congested) the cells have variable length, and a variation law for the front congestion completes the 3-dimensional model. In opposition to fixed-length cell models that are commonly represented by a set of linear state-dependent switching systems, our model results in a lower dimensional nonlinear system which solutions are continuous. Based on this model, we have designed a “best-effort” control strategy using variable speed limits. The notion of best effort control is here linked to the physical variable speed limit constraints which limits its size and as well as its rate variation. This results in a relative simple control in closed-form that can be implemented by using only information about the front congestion location.

6.1.3 Traffic Modeling and Prediction

An important point in the implementation of an intelligent transportation system concerns broadcasting of real-time network information to travelers. Since location and severity of congestion within a transportation network change continuously, it is necessary to derive new model-based traffic forecasting policies. Such policies allow to forecast travel time that would be as accurately as possible. To this aim, in addition to flow measurements provided by different sensors, it is necessary to : 1) reconstruct (observe) unmeasured densities quantities, and 2) to predict travel demand at different network access points. Traffic forecast can thus be realized by direct integration of the model using the observer and the predicted demands.

Concerning observer density design, we have introduced in C-[173] the notion of backward and forward observability and make explicit an observer that operates only during the observable modes. The state of the network is then recovered using what we call forward/backward observer. We pointed out that during unobservable modes the estimation error is preserved due to vehicle conservation law. Latter in C-[180] we have introduced in a deterministic constrained macroscopic model which reduces the number of possible affine dynamics of the system (modes) and preserve the number of vehicles in the network. This new model is named the graph constrained-CTM model. It reduces the model complexity from exponential to linear. Aligned to this model, we introduced the concept of graph constrained-CTM observer that reconstruct the state under a graph constraints on the evolution of the model modes. First validations were performed using the micro-simulator AIMSUM, and validation using to real-time data collected by the GTL were reported in C-[183].

Traffic forecasting requires also to predict future in-ramp flows. This problem is known as demand prediction and it is complementary to the internal state density reconstruction mentioned before. It is mainly a signal processing problem as there is no a deterministic model available. In C-[182], based on adaptive Kalman filtering theory, we have introduced a new forecasting approach where we suggest solving a multi-step ahead prediction problem as a filtering one by considering pseudo-observations coming from the averaged historical flow having its associated statistic properties (mean and variance) adapted using a combination of historical and actual data. The method works nicely using real-time

measures from the GTL.

This work concerns the Ph.D. Luis Leon Ojeda, in co-direction with A. Kibangou. The Luis PhD thesis was defened in July 2014. A new PhD student, Adres Ladino Lopez starting in Sept 2014 in the context of the SPEEDD project, and will be work in estimation and monitoring problems for toward large urban traffic networks.

Robustness issue in the observer design were recently considered in C-[186], where we consider the graph-constrained version of the SMM, and introduce an original strategy for robust mode selection of the graph constrained-CTM moded. This strategy can be used to robustify any graph-constrained Switching Mode Model-based traffic density estimation algorithm. Assuming an uncertain speed for the congestion wave, we incorporate the currently-available information and the statistical information by historical record into a suitable transition digraph or automaton, which supports us in the selection of the most probable current mode of the system. The effectiveness and robustness of the proposed mode selector is demonstrated on the problem of traffic density reconstruction via a switching observer, in a 2.2 km highway section of Grenoble south ring for which real-time flow and mean speed measurements are available through the GTL.

This "deterministic" strategy has been recently extended in R-[11] where we propose a linear Markov jump filter for the uncertain graph-constrained Switching Mode Model (SMM), which we use to describe the traffic density evolution in a highway. While the current mode of the traffic system is specified by a graph-based deterministic selector introduced in a previous work of the authors, in this investigation we leverage the historical traffic record in order to identify the transition probabilities of a Markov chain associated with the SMM, thus ultimately leading to more reliable density estimates. The effectiveness and robustness of the proposed filter to model-parameter and measurement uncertainty is demonstrated for the problem of traffic density reconstruction in a section of the south ring of Grenoble.

The robust estimation investigation have been conducted in collaboration with the post-doc Fabio Morbidi in my team.

6.1.4 Control of communicating vehicles in urban environment

For a given vehicle there are different ways to travel on a given distance in a given time, corresponding to different levels of energy consumption; therefore, there is an energy-optimal trajectory. Advising the driver via a suitable interface can reduce the energy consumed during the travel, and thus improve the energy efficiency : this is the principle of eco-driving. In urban areas, the optimal trajectory of the vehicle depends on interactions with other vehicles, but also on passive signs (panels, priorities, etc.) and active signs (traffic lights); in each case, constraints are imposed on the command (vehicle speed). In our preliminary work C-[184] we have studied the optimization problem of finding energy optimal velocity profiles for vehicle in an urban traffic network. We have assumed a single vehicle evolving in a urban road with the knowledge of the traffic light timing. The minimum energy problem is converted to a static minimization problem assuming that the car is driven at a constant speed in between the crossing lights. The proposed method uses first a pruning algorithm to pre-determine some of the paths that may be used to meet the end-to-end travel requirement, and then find

the optimal path using the Dijkstra’s algorithm. Future works will address the same problem under more realistic assumptions, namely the finding velocity profiles for a flow of vehicles rather than a single one, while including more realistic flow models with congested portions.

Work in C-[184] was extended in C-[187] where problem of traveling at maximum energy efficiency is addressed for urban traffic networks at the *macroscopic level*. We provide an analysis of the steady-state behavior of the system, given certain boundary flows conditions fixed by traffic lights timings, and in presence of a traffic control policy based on variable speed limits. The study is formal, and it is carried out on a two-cells variable length model adapted to the urban setup from previous works on highway traffic C-[172]. Informative traffic metrics, aimed at assessing traffic and vehicles performance in terms of traveling time, infrastructure utilization and energy consumption, are then defined and adapted to the new macroscopic traffic model. If congestion in a road section does not spill back or vanish, the system is stable and many different equilibrium points can be reached via variable speed limits. Efficient operation points and traffic conditions are identified as a trade-off between optimization of global traffic energy consumption, traveling time and infrastructure utilization

Further extensions were studied in C-[189], where the evaluation of the benefits of an Eco-Driving assistance system is carried out in the urban environment in presence of traffic lights. The traffic evolution is modeled again via an average approximation of the macroscopically Urban Variable-Length Model C-[172] in a variable speed limits framework. Under the assumption of equal boundary flows, the vehicles in a road section dispose themselves according to well defined equilibrium conditions which are dependent on the traveling speed in the free-flow part of the section. Given certain initial traffic conditions, an optimal speed limit for the section can be found in order to drive the system to an efficient equilibrium state. Further analysis of the equilibrium conditions and the stability properties of the system is conducted in this work. The system is proven to be controllable, under the working hypotheses, and a controller is designed to simulate the response of the drivers compliant to the eco-speed advisory. A sub-optimal control strategy is finally proposed also in the case of unequal boundary flows.

This work is carried out in collaboration with IFP in the framework of a CIFRE thesis by the PhD Giovanni de Nunzio with my supervision and the co-direction of P. Moulin(IFP). A stay in Berkeley if Giovanni is planned for this fall in 2014 within the context of the collaborative project CONFORT (see <http://necs.inrialpes.fr/>, projects, then CONFORT)

6.2 Collaborative control and source seeking

The goal of this research axis consists in deriving new models and control schemes for partially cooperative interconnected systems. The underlying idea is that the sub-systems have their own objectives, but are able to trade these objectives with a global one. This must be done using a decentralized decisional process, under constraints of limited communication capabilities and shared resources. WE have been looking at two related problems. One is the formation control and the other is the source seeking problem (with potentially use of shared information from a particular agent formation).

Formation control of multi-agent systems has been considered and we focus on the translation

control and uniform distribution of the agents in a moving circle. A first contribution in this context consists in developing control laws to track time-varying formations of a fleet of AUVs (autonomous underwater vehicles). In C-[155] and C-[163], we propose two control algorithms to stabilize the AUVs to a circular formation with a time-varying center and with a time-varying radius respectively. The problem of the uniform distribution of the agents along the formation is also considered taking into account the communication constraints.

The generalization this formation control to any time-varying formation including non circular formations was treated in C-[164] where, a general framework for formation control is proposed based on the concept of elastic formation (time-varying formation resulting from the application of the affine transformations to the unit circle). Those result were completed and extended in the journal publication J-[65].

The problem of source-seeking problem is the task to locate the source of some (diffusive) signal using a fleet of autonomous underwater vehicles. The objective is here to use the underwater vehicles equipped with appropriate sensors as a mobile sensors network. Our first results did focused on source seeking behavior for a fleet of AUVs under centralized continuous time outer-loop control for steering a circular formation of AUVs. A collaborative algorithms was first proposed in C-[165] and a distributed version was then devised in C-[156].

In C-[169] and C-[171], we present a method which allows estimating the gradient of the signal propagation using a distributed consensus filters C-[170]. To do so, we consider a group of vehicles uniformly distributed in a fixed circular formation. We then show that this distributed consensus algorithm converges to good approximation of the gradient of the signal propagation. The algorithm takes into account the communication constraints and depends on direct signal measurements. Our approach is based on the previous results in formation control to stabilize the fleet to elastic formations which can be time-varying C-[171] and in a collaborative source-seeking algorithm proposed earlier by members of the team. These studies where concluded with the Ph.D. dissertation of Lara Brinon supervised by myself and in co-direction with A. Seuret.

We are also investigating other approaches for gradient computation. Indeed, under some assumptions on the source emission (isotropic diffusive source in steady-state, whose solution satisfies the Laplace equation), we have shown that there is an exact integral formula (based on the Poisson integral of harmonic functions) for the computation of the gradient at the center of a circle, using pointwise measurements along the circumference. The main advantages of this approach concern potential generalization to three (or more) dimensions, and the ability to compute also higher-order derivatives (i.e. Hessians) from integrals rather than from differentiation C-[177]. Indeed we have extended our previous 2-D results in C-[177] to the 3-D case, the results have been published in *Automatica* in 2014, see J-[64].

In C-[188] we extended our previous works on Poisson source localization toward the a distributed distributed version without position Information. We consider a group of autonomous communicating sensors, and our objective was to steer the group, with a minimum information exchange, towards an isotropic source. We suppose the graph describing the communication links between sensors to have a time-invariant ring-topology. Each sensor, that has no position information, takes pointwise

measurements of the quantity of interest, and is able to measure the relative bearing angle with respect of its neighbors. We solve the source localization task via a gradient ascent technique, based on a distributed implementation of Poisson integral formula on a circular domain; our approach is based on a twofold control law, able to bring and keep the set of sensors on a circular equispaced formation while seeking the source.

This work is realized in connection with the Ph.D thesis of Ruggero Fabbiano in co-direction with F. Garin.

6.3 Communication and control co-design in Controlled Systems

Traditional control theory often disregards issues of connectivity, data transmission, coding and many other items of central importance in wireless sensor networks. In this topic we study new methodologies to design control for systems in which signals are exchanged through a communication network with limited capacity. Some of the general questions addressed here are :

- How the signal (source) coding algorithm can be designed jointly and simultaneously with the control law ?
- What are the mutual inter-dependencies between the control and communication design
- How can one overcome the limitations of the wireless medium, and
- How energy of the sensors and the associated transmission media, can be optimized, by the appropriated energy-aware design of the coding and the control ?

More specifically, we have studied the following problems :

- Differential Coding for networked controlled systems,
- Energy-aware and entropy coding in NCS,
- Passivity design for asynchronous interconnected systems, and
- Remote Stabilisation via Communication Networks

6.3.1 Differential Coding for networked controlled systems

In a networked controlled system, the output signals have to be digitalized before transmission. Our objective here is then to use the minimum quantization bits necessary to maintain stability on the closed loop system, that is to say the minimum bandwidth.

Δ -Delta modulation is a well-known differential coding technique used for reducing the data rate required for voice communication. In our works we have adapted such technique to be used in closed-loop systems. For a constant gain it was shown in J-[57] that only a limited domain of attraction can be obtained. In addition, the state was only guaranteed to converge asymptotically to a finite ball, begin its size related to the parameters of the open-loop plant, and on the the modulation gain Δ .

In C-[144] , we propose a gain-scheduling multi-bit Delta-modulator. We first analyse modifications for the $\Delta - M$ algorithm proposed in J-[57] in order to stabilise discrete-time systems with eigenvalues $|a| > 2$. This is motivated by the previously mentioned cost issues associated with the simple $\Delta - M$ schemes. Secondly, we analyse the packet-loss issue, and determine a maximum allowable number of

consecutive bits lost while keeping stability. This analysis is innovative since previous work on the subject have dealt with the limited-rate and the packet losses separately. Our results show that the maximum number of packets that can be lost sequentially depends on the region where a certain estimation error lives. Using this fact, we redesign the $\Delta - M$ scheme used in J-[57] so the system can handle at least a minimum number of packet losses. This mechanism is based on the re-synchronisation between the encoder and decoder.

By making Δ an adaptive quantity, more effective schemes of Δ -modulation can be obtained C-[146], and J-[60]. The idea is to design an update law for Δ , defined exclusively in terms of the information available both at the receiver and transmitter. With this approach, global asymptotic stability of the networked control system is achieved for a class of controllable (possibly unstable) linear plants. Moreover, thanks to the globally defined switching policy, this architecture enjoys a disturbance rejection property that allows the system to recover from any finite-time unbounded disturbance or communication loss.

An interesting application where the data-rate constraint is hard, is the control of oil well drilling, where information from the sensors to the controller is transmitted via an acoustic channel, with little data-rate and relevant delay, see example given in our works C-[161].

A new adaptive differential coding algorithm for multi-variable systems was studied in C-[149]. A main advantages of the proposed algorithm is the introduction of a Dwell-Time state in addition of Zoom-In and Zoom-Out classical modes. The Dwell-Time mechanism introduces a hysteretic effect that smoothes out the periodic and oscillatory behavior observed in other approaches such as Zoom-In, Zoom-Out quantifiers.

6.3.2 Energy-aware and entropy coding in NCS

Wireless low-cost sensor networks are an expanded technology in many new and varied areas such as : traffic monitoring and control (urban, highways), undersea monitoring/exploration, environment sensing (forest, farms, etc.), building services, large instruments with distributed sensing and actuators (Tokamak, telescopes), etc.

In this context, future generation of this type of sensors are expected to be packaged together with communication protocols, RF electronics, and energy management systems. Therefore, the development of such integrated sensors will be driven by constraints like : low cost, ease of replacement, low energy consumption, and energy-efficient communication links. In turn, these constraints bring new problems to be considered in the exploitation of this information. For instance, low cost will induce sensors with low resolution (binary sensors, at the extreme) advocating for minimum bit coding strategies, low consumption will impose issues on efficient sensor energy management (sleep and wake-up modes, differentiation of stand-still event), ease of replacement will imply the system ability to keep safe operation in a failure of one or several sensors, and finally communication links and protocols should be designed to account for energy savings, information loss, and varying fading characteristics. To enlarge our vision of this topic, we carried out a survey about energy-aware communication and control co-design C-[162].

The objective of our work published in J-[58] is specifically to treat aspect related to the energy

management, in relation with the particular code to be used. To this aim, we have proposed to use a coding strategy based on the idea of entropy coding. A fundamental difference with the classical Differential algorithm (i.e. delta modulation, see [2]) is that the error is coded on the basis of a priori probability to the symbols to arrive. Therefore event associated to high probability are coded with less bits than those that arises more scarcely. This approach leads to an energy-efficient variable length (VLE) entropy coding to improve the use of energy for cases and systems where the stand-still events have a substantial probability to arise. We have published several works along that idea, see J-[58] and C-[145].

We have also considered an event-based approach to energy-efficient management of the radio chip in the sensor node of a wireless networked control system. As the radio is the main energy consumer, and intermittent data transmission allows one to reduce the use of the radio. While the existing literature in the control community on event-based control only addresses policies using two radio-modes (Transmitting/Sleep), our work follows some considerations on the radio-chip modes well-known in the communication networks literature, and introduces some intermediate radio-modes, which consume more energy than ‘Sleep’ but allow to reach the transmitting mode consuming less energy in the transition. We propose an event-based radio-mode switching policy, which allows to perform a trade-off between energy saving and performance of the control application. To this end, a switched model describes the system, taking into account control and communication. The optimal switching policy is computed using Dynamic Programming with a infinite C-[175] and finite C-[176] time-horizons. A boock chapter was published in 2014 with part of this results, see B-[15]. This research was conducted in collaboration with Dr. Daniel Quevedo, at the University of Newcastle, Australia, and has finalized in Sept 2012 with the Ph.D. thesis dissertation of Nicolas Cardoso de Castro.

6.3.3 Passivity design for asynchronous interconnected systems

In this topic we have studied the passivity properties of asynchronously non-uniformly sampled systems. The idea of studying these systems comes from the necessity of developing theoretical tools for the analysis of networked and embedded control systems, which usually operated under variable resources like communication rates and computational loads. This results in an asynchronous sub-systems interconnection, as the sampling time may be adapted on the fly as a function of the available resources at the moment. Examples of these systems can be found in many application fields such as remotely-operated systems, interconnected vehicle control loops, and more generally in component-based control design where synchronous exchange of information is not feasible.

We have studied the following issues. First we introduce the notion of (MASP) MAximum Sampling time preserving Passivity for linear systems; given a continuous-time system with some dissipation properties specified, the notion of MASP give a maximum sampling time, T^* after which passivity is lost. A second aspect studied here concern the case of a system locally asynchronous but globally synchronous feedback interconnected systems. The notion of globally synchronous comes from the fact that we limit this study to samples T_i of each i -subsystem that are multiple integers among them, nevertheless we allows the sampling time of each individual sub-systems to be time-varying. Finally, we use these results as a design guidelines for the control design, and we propose a numerical algorithm

to compute local feedback loops providing a MASP compatible with the maximum sampling-time upper-bound of each sub-system. Details are given in C-[150].

Further studies consider systems that are either Input/Output Strictly passive (IOSP), or systems which have bounded L_2 -gains less than one. The analysis is performed by using the concept of Maximum Sampling time preserving Dissipation (MASD), for each interconnected system. We investigate the impact of using the scattering transformation in the computation of the MASD, and we provide a numerical algorithm (based on a set of LMI's) that allows to choose the most suitable configuration for the interconnection C-[154].

6.3.4 Remote Stability under uncertain communication

The problem studied here concerns the remote stabilisation of unstable open-loop systems. The sensor, actuator and system are assumed to be remotely commissioned by a controller that interchanges measurements and control signals through a lossless communication network (all lost packets are re-emitted). We assume that this communication network has its own dynamics, and that a model for the average induced time-delay is available.

In J-[52], C-[133], C-[142] we proposed to use a time-varying horizon predictor to design a stabilizing control law that sets the poles of the closed-loop system. The computation of the horizon of the predictor is investigated and the proposed control law takes into account the average delay dynamics explicitly. The resulting closed loop system robustness with respect to some uncertainties on the delay model is also considered, see B-[12], B-[13]. Tele-operation subject to time-varying delays has been considered in [49] where predictive approach is used to cope with variable transmission delays.

We have initiated original studies on adaptive image coding in the context of tele-operation. In here we trade issues on Quality of Service (quality of image) with quality of control. We have proposed a new image coding algorithm for the wireless controlled electrical. The tele-operation system is based on a mathematical driver model written in the spatial equation form (model that we have also proposed), where the driver is considered as a feedback controller C-[167]. An optimal quality parameter for image compression is calculated by an iterative method which takes into account the trade-off between the network time-delay and image network flow rate. Simulation and experimental results are provided on the teleoperation NeSCar platform (see <http://necs.inrialpes.fr/pages/setups-software/setups.php>).

6.3.5 Control, Communication and computation co-design

One of the objectives is to propose a co-design framework, which allows the integration of control, communication, computation, complexity, and energy in Networked Control Systems (NCS). As a first step to create such a co-design framework, we have to fully understand the constraints imposed by control, communication, computation, complexity, and energy on some case studies. Therefore, in R-??, we studied the three case studies of the FeedNetBack European project : 1) Fleet of underwater vehicles, 2) Smart network of surveillance cameras, 3) Smart network of cameras for motion capture. Then, following this study, we identified the interactions between control, communication, computation, complexity, and energy in these case studies.

Next, we formulated an integration framework for control, communication, computation (3C) co-design for fleet of underwater vehicles, results are reported in [168]. Specifically, we address the problem of almost sure stability of an unstable system with multiple observations over packet erasure channel, with emphasis on coding computational complexity. We look at the tradeoff between duty cycle for feedback channel use, coding computational complexity, and performance. We compare coding computational complexity and performance for two cases : a) No feedback channel at all, and b) Feedback channel all the time. It is shown that the strategy of using feedback channel results in a better performance

6.4 Application domains

This section describes research activities in some application domains like Systems on Chips (SoC), Vehicle, Robotics, mecatronics.

6.4.1 Adaptive Control of the Boost DC-AC Converter

The control of boost DC-AC converters is usually accomplished tracking a reference (sinusoidal) signal. The use of this external signal makes the closed-loop control system to be non-autonomous and thus, making its analysis involved. Here we follow a different approach consisting in design a control law in order to stabilise a limit cycle corresponding to the desired oscillatory behaviour. In that way, no external signals are needed. In C-[147, 148, 151] and J-[59], we have proposed an adaptive control law for the nonlinear boost inverter in order to cope with unknown resistive load. This adaptive control is accomplished by using a state observer to one side of the inverter and by measuring the state variables. The stability properties are derived by resting to via singular perturbation analysis.

6.4.2 Advanced Control Design for Voltage Scaling Converters

In low-power electronics, achieving a high energy efficiency has great relevance. Nowadays, Global Asynchronous Local Synchronous Systems enables to use a Local Dynamic Voltage Scaling architecture, this technique allows achieving a high energy efficiency. Moreover, Local Dynamic Voltage Scaling can be implemented using different approaches. One of them is Vdd-Hopping technique.

In the context of the ARAVIS project, an energy-aware controller has been designed for a Vdd-Hopping system dealing with current peak constraints. It improves considerably the system efficiency (transistor losses during the switching phases) and achieves fast time responses. The stability of this controller has been studied in J-[152], C-[153]. Further studies, concerning the control implementation and more specifically the control parameters tuning accounting for the delay associated to the critical gate transmission, have been performed in C-[157], and in J-[61].

Issues related with optimality and robustness of the saturated control law, as well as system robustness with respect to delay presence and parameter uncertainties have been investigated in J-[62]. The closed-loop system presents a local stabilization due to the actuator saturation. An estimation of

an attraction domain is provided. The proposed controller also limits the current peaks and it provides an energy-aware performance.

This controller is patent pending with the name Energy-Aware Control (ENARC) P-[11]. This patent is under discussion for a possible transfer to ST-Microelectronics.

6.4.3 Observers design for multi-sensor systems : application to HDI engines

Research activity in vehicle industry targets pollutant emission reduction. Homogeneous charge compression engine ignition (HCCI) is an interesting alternative to this problem. New European community laws impose new stringer constraints to pollution, and as a consequence, forces the car industry to realize on board diagnosis system in order to detect engine failures that may result in an increase in the engine pollution. In this project carried out in collaboration with the IFP (Institut Français du Pétrole), we developed model-based observer allowing to identify several types of engine failures, like : gas leakage in the low and high pressure recirculation circuits (EGR), ill functioning of some of the sensors, and actuators (valves).

A first investigation has been dedicated to system modeling with respect to leakage detection and estimation. In a first phase, leakage in intake receiver has been studied by the mean of two different nonlinear adaptive observers. The observers have been tested on an experimental engine testbed. For this first application, no differences come out from the use of these two observers C-[158]. The second part of the work is dedicated to the design of a variable threshold in order to be less conservative and avoid false alarms. For this purpose, we are investigating a study of possible causes (modeling and measures error) whose effect drive leakage estimation away from the correct value C-[159].

Application of the previously proposed approach to the turbocharger was studied in C-[166]. The aim was the detection of the turbine efficiency loss in order to guarantee the correct amount of air needed to the combustion. A complete sensitivity study has been carried on the turbocharger subsystem to generate a variable threshold and determine working points where the detection is insensitive to possible measurement biases. The system has been successfully tested in simulation along the standard European car cycle.

6.4.4 Vehicle control

This research concerns several aspects of modeling, observation and control towards a new generation of Electrical Power Steering (EPS) systems C-[174]. In particular we design an optimal control to reject oscillations of the steering column, then we devise a new observer to estimate the internal state variables of the steering column, the driver applied torque (steering wheel torque), and the load torque (tire/ground contact friction). In C-[181] we studied the amplification criteria for designing booster curves in EPS systems, and we show that those curves can be obtained as the results of an optimization problem (with a cost function reflecting the driver comfort) and the use of the Stevens' power law.

In the area of vehicle control and in collaboration with Renault, several patents were deposited, P-[6, 5]. They concern the area of optimal gear engagement resulting from the publications C-[138], J-

[54], and gathered in the book B-[14]. Further collaboration with Renault resulted in several patents : P-[4, 7, 9, 10] in the area of power steering systems. In additional work along the problems of a longitudinal control for adaptive cruise control are reported in the paper J-[51].

6.4.5 Various

Some additional work was done in : the robotic field J-[53], new mechanisms for controlling stick-slip oscillations in oil well drillstrings J-[55] and C-[160], control of non-linear oscillation systems J-[63] voltage collapse avoidance in power systems J-[50], on dynamic friction models J-[56].

Chapitre 7

Assessment in the research production

This section present some qualitative measurements of the research production in terms of publications, research grants, and human capital.

Publication type	2006-14	1986-2005	TOTAL
Journals	19	46	65
Conferences	80	129	189
Books	1	4	5
Book Chapter	3	7	10
Patents	7	4	11

TABLE 7.1 – Research production in term of publications

Project name	Source	Period	Amount
CONFORT	Int Associated Team	2014-2017	36 KE
ASTOM	CIFRE	2014-2017	45 KE
SPEEDD	EU-STREP	2013-2016	492 KE
IPF	Contrat (Ph.D)	2012-2015	60 KE
VOLHAND	ANR-VTT	2009-2013	175 KE
HYCON2	EU-NoE ICT	2010-2013	220 KE
MOCOPO	PREDIT	2010-2013	80 KE
GTL	MSoC-UJF	2011-2013	198 KE
FeedNetBAck	EU-STREP	2008-2012	590 KE
ARAVIS	Pole Minalogique	2007-2011	450 KE
CONNECT	ANR	2007-2011	240 KE
IPF	CIFRE-IFP	2007-2010	60 KE
TOTAL A	-	2007-2014	2 154 KE
TOTAL B	-	1985-2006	965 KE
GRAND TOTAL	-	1985-2012	3 119 KE

TABLE 7.2 – Research grants in the period 2007-2014.

	1985-2006	2006-2014	Total
Post-Docs	4	7	11
Ph.D.	21	13	34
Masters	25	10	35
Bachelors	26	4	30

TABLE 7.3 – Human capital (Education by the research)

Deuxième partie

Recherche (1988-2006)

Chapitre 8

Grand lignes

Dans ce chapitre sont décrit les principaux thèmes de recherche abordés depuis mon intégration au CNRS en 1988 jusqu'à Juin 2006. Une brève synthèse des thèmes principaux sera présentée. Ensuite, dans les chapitres suivantes, suivra une description détaillée de ces thèmes. Le chapitre sera conclu avec la description des nouveaux axes de recherche.

8.1 Quelle recherche pour quel objectif

Une recherche par domaine d'application. Lors de mon intégration au CNRS en 1987, il dominait dans le domaine de l'automatique une recherche que l'on pourrai qualifier de "généraliste". Il s'agissait de développer des méthodes générales applicables à une large classe de systèmes *linéaires*. Néanmoins, cette ligne de travail atteignait ses limites avec l'intérêt de plus en plus présent pour les systèmes "fortement" nonlinéaires pour lesquels les approximations linéaires n'était guère suffisantes. Par ailleurs, les méthodes "généralistes" nonlinéaires (i.e. la linéarisation par retour d'état) n'étaient pas encore complètement développées et/ou inapplicables ; en outre, ces méthodes n'intégrant pas les connaissances physiques existantes de certains systèmes. Ma recherche a été donc orientée vers une classe de systèmes nonlinéaires modélisables par des lois physiques. Or cette classe de système modélise un nombre de situations pratiques considérables, bien plus étendues que celles que représentent les systèmes linéarisables du type $\dot{x} = f(x) + g(x)u$. De lors ma recherche a été naturellement orientée principalement par domaine d'application (robotique, véhicules, moteurs, systèmes électriques, et plus récemment sur les systèmes dits contrôlés en réseau). La présentation de mes travaux de recherche dans ce rapport suit cette orientation, et elle est présentée de façon chronologique par domaine d'application.

Utilisation des lois physiques. L'étude des lois de commande pour des systèmes nonlinéaires modélisés par des lois de la physique présente plusieurs avantages à niveaux différents. D'une part cela permet d'utiliser les connaissances *a priori* du système (valeurs des paramètres, propriétés physiques des signaux, informations sur le modèle, caractéristiques des perturbations, distinction des échelles de temps, etc.). L'ensemble de ces informations est utilisé lors de la conception et de l'analyse de stabilité des lois de commande (i.e. recherche des fonctions de Lyapunov, adaptation sélective des paramètres

non-connus et/ou variant dans le temps, etc.), et permet de clarifier l'objectif ultime de la commande en terme de performances physiques (optimisation du rendement, estimation des variables physiques, etc.). D'autre part, cette approche permet également d'établir un minimum de généralités lorsque il s'agit de classer les systèmes par domaine d'application (i.e. mécanique, électrique, etc.), et/ou par type (i.e. systèmes Lagrangiens, Hamiltoniens, etc.).

La théorie par les applications. Dans un certain nombre de cas, la théorie est d'abord développée après quoi on essaie de lui trouver un domaine d'application. L'esprit de ma démarche de recherche est inverse ; d'abord on développe des lois de commande pour un système particulier (et/ou une classe de systèmes), puis on essaie de généraliser (approche "bottom-to-top") vers une classe de systèmes plus large. Par ailleurs, cette ligne de travail permet (et a permis) d'identifier de nouvelles problématiques de contrôle non visibles à partir d'une formalisation trop généraliste issue de l'approche "top-to-bottom". Les études sur la commande des systèmes non-holonomes constituent un exemple évocateur. L'origine de ces études remonte aux années 1990 et au problème de positionnement des robots mobiles. L'exemple de stabilisation de l'unicycle, connu aussi sous le nom l'intégrateur de Brockett (système nonlinéaire avec 3 états et 2 entrées) est également caractéristique. Ces cas d'études ont été l'origine d'un développement considérable dans un cadre plus théorique concernant la stabilisation (par des lois discontinues, et/ou instationnaires) de systèmes non-stabilisables par retour d'état continu.

Quelques principes associés à la recherche. Un soucis continu anime mon travail de recherche en terme de finalité (à quoi cela sert-il?), et de transfert de connaissance vers les nouvelles générations, et vers l'industrie. Un questionnement systématique sur la pertinence et finalité précède tout engagement à moyen et long terme sur des nouvelles directions de recherche. Le transfert de connaissances est continuellement présent dans mes activités et se manifeste au travers de : l'enseignement, la formation continue (écoles d'été, mini-courses), les collaborations industrielles, et la formation par la recherche.

Pour réaliser et maintenir une recherche de haute qualité, la nécessité d'un renouvellement continu des idées, des résultats et de leur remise en cause s'impose. Ceci est semble-t-il possible par le biais des échanges nationaux et internationaux avec nous collègues, par un engagement actif dans des projets conjoints, et par la construction et le maintien des d'un réseaux actif de collaborations. La visibilité de notre recherche en est tributaire.

Toute recherche n'est possible que à la condition d'une gestion intelligente des moyennes financiers et humains. Un dosage fin que l'on pourrait qualifier de "gestion sélective de la recherche", permet de joindre l'utile à l'agréable. Ainsi, la gestion des équipes, des projets de recherche, l'organisation des congrès, la participation aux comités de programme et d'édition, deviennent compatibles et non intrusive avec la fonction première qui est la nôtre : la recherche scientifique.

8.2 Évolutions des thèmes principaux de recherche

Depuis le début de ma carrière au CNRS, mes travaux de recherche se sont focalisés autour des thèmes tels que qui ont évolué au fil du temps¹.

8.2.1 Frottement : un fil conducteur

L'axe de travail concernant la modélisation, l'identification et la commande des systèmes avec frottement est sans doute le plus ancien de mes sujets de recherche (initié à Lund, Suède en 1985). Cette axe a donné lieu à un nombre important de publications, workshops et séminaires depuis ma thèse en 1985. Il a été l'un des vecteurs principaux du rayonnement scientifique de ma recherche au niveau national et international. Les recherches sur le frottement se déclinent sous divers degrés de difficulté en terme de modèles (modèles dynamiques, à dimension multiples, modèles distribués, etc.), de méthodes de commande (compensation, commande adaptative, commande impulsionnelle, commande à haut gain, commande à gain pré-programmé, estimateurs, etc.) et concernent une multitude de systèmes tels que : axes de commande, moteurs CD et CA, robots manipulateurs, gonomètres, gyroscopes, contacte entre pneus/sol, systèmes de forage, pointage fin des satellites, etc. Un livre de synthèse dans ce domaine est en préparation.

8.2.2 Les robots : une source d'inspiration pour des nouvelles théories de commande

La recherche en robotique constitue également un fil conducteur dans mes travaux, et une grande source d'idées nouvelles pour le développement des nouvelles techniques de commande des systèmes non linéaires. Chaque classe de robot présente des problématiques de commande bien particulières, depuis la commande des bras manipulateurs et des robots sous-marins jusqu'aux robots marcheurs (i.e. Robot Rabbit), en passant par les robots mobiles. En ce qui concerne les robots mobiles et les robots marcheurs, nécessitant pour les premiers des lois discontinues stabilisantes, et pour les seconds la classification et la caractérisation de cycles dynamiques non-forcés, de nouvelles théories de commande ont dû être développées ; en effet les méthodes de synthèse existantes ne permettaient pas de résoudre les problèmes posés par ces systèmes. Un ouvrage de synthèse issu de l'école d'été d'automatique (organisateur : C. Canudas de Wit) de 1996 a été publié par Springer O-[3].

La recherche en collaboration avec l'Université de Michigan autour du Robot bipède Rabbit², a eu récemment un impact très important dans les media Américains (moins en France), tels que : Discovery Channel Canada TV, CNN Headline News, routers. Plus récemment deux reportages sont en cours par la télévision italienne, et par M6.

1. voir aussi <http://www.lag.ensieg.inpg.fr/canudas/> et <http://www.lag.ensieg.inpg.fr/canudas/necs>

2. Projet initié par B. Espiau et moi GdR-CNRS, avec une suite dans le cadre du projet ROBEA-CNRS. Le Robot se trouve dans les locaux du LAG.

8.2.3 Moteurs électriques : exemple de valorisation de la recherche

L'un des travaux exemplaires en ce qui concerne le passage de l'étude complexe vers un produit industriel concerne la synthèse d'une commande nonlinéaire à énergie minimale pour les machines asynchrones. Ce travail résulte d'un calcul exacte de la solution de l'équation de Hamilton-Jacobi. Cette solution, complexe au départ, a été adaptée et simplifiée pour la rendre facile à ajuster et compatible avec les schémas de commande classiques à flux orienté. Cette approche à énergie minimale nommée OPEC (OPTimal Energy Control) a été expérimentalement testée avec succès, et a fait l'objet d'un dépôt de brevet B-[1] (INPG/CNRS No 98/06554). La valorisation *a posteriori* de cette recherche a été possible après une campagne de publicité cibles (6 grandes sociétés ont été contactées), et des nombreuses discussions. Ce brevet a été acheté par la société Schneider Électrique, et un contrat de collaboration a été établie à la suite de cette transfert de technologie. Sur ce sujet, un ouvrage en deux volumes issu de l'école d'été d'automatique (Organisateurs : C. Canudas-de-Wit et D. Roi) de 1999 a été publié par les Editions Hermes O-[4], et O-[5].

8.2.4 Automobile : 11 ans de collaboration avec Renault

La recherche dans le domaine de l'automobile est apparue en 1995 comme le prolongement naturel des recherches en robotique (des problématiques telles que la télé-manipulation, bien connue en robotique, trouvent un champ d'application dans la conduite par fil (drive-by-wire) où l'interaction homme-machine est prédominante). Plus particulièrement, des problématiques héritées du domaine de la commande des robots mobiles (planification des trajectoires, commande longitudinale et latérale, commande en peloton, estimation des forces de contact roue/sol, etc.). Ces recherches sont fortement influencées par mes relations avec le milieu de l'industrie de l'automobile ; plus particulièrement avec Renault Véhicules Industriels (RVI), et la Direction de la Recherche de Renault, et le Centre Technique de Renault. Ces collaborations industrielles ont été renforcées, grâce aux liens établis avec l'INRETS (projet ARCOS). Un école d'été sur la commande des véhicules a aussi été organisée (C. Canudas-de-Wit et O. Sename) en 2002.

Actuellement deux thèses en contrat CIFRE sont en cours. L'une au sein du centre technique de Lardy de Renault concerne l'optimisation des boites robotisées, et l'autre auprès de la direction de la Recherche à Guyancour, concerne l'optimisation des systèmes de conduite par fil. Plusieurs publications et trois dépôt de brevet conjoint avec Renault sont le résultat de cette collaboration.

Comme effet marquant ce thème donnera lieu à la présentation d'une conférence semi plénière au CDC-ECC, en Sevilla Dec. 2005, sous le thème "fun-to-drive by feedback", papier rédigé avec mes collaborateurs de Renault. Suite de ceci, j'ai reçu une invitation pour former partie du " Distinguished lectured program " de la Association CCS (Control System Society) IEEE, voir <http://www.ieeeccs.org/MAB/MABprogram> (à partir de Sept.2006).

8.3 Mobilité : mission de longue durée à Seville

Suite à la décision d'impulser un changement thématique vers le sujet de NCS (Networked Controlled Systems), une mission de longue durée (10 mois) dans le cadre d'un projet scientifique de collaboration entre le Laboratoire d'Automatique de Grenoble et l'Université de Séville a été réalisée de Sept. 2004 à Juin 2005.

L'université de Séville est coordonnatrice d'un projet nommé HERCULES. Il s'agit d'un réseaux pilote de téléphonie mobile UMTS de troisième génération. Le réseau est installé dans le campus de la Cartuja. Le projet est co-financé par l'état espagnol, le ministère de la recherche et de l'éducation, et de l'industrie. Le réseau est constitué de diverses couches dont la couche radio et la couche IP. La première est chargée de s'occuper de l'interface air dont la gestion de ressources, i.e. le contrôle de la puissance et le control de "handovers". La couche IP est chargée de la gestion de données dont le synchronisme pour la commande. Le projet a aussi comme objectif d'explorer tout les nouveaux services potentiels pouvant être attachés à ce réseau, tel que la commande des systèmes distribués et inter-connectés par des réseaux. Ce contexte a offert un cadre naturel et unique de travail dans ce thème de NCS. Plus particulièrement le thème traité a été celui de l'analyse et du co-design entre la chaîne de transmission de données (protocoles, codage, etc.) et les lois de commande.

Concrètement, la mission a permis, entre autres, de collaborer avec le département de communication (Prof. J. Fornes) sur le développement des nouveaux algorithmes de codage différentiel (transmission un-bit par signaux), et l'analyse de leurs propriétés de stabilité lorsque ceux-ci sont utilisés dans la boucle de commande C-[131, 140]. Ceci également en collaboration avec le Directeur du département (prof. F. Rubio) et F. Gomez-Estern. Des extensions de ces travaux sont actuellement en cours ; il s'agit de développer des algorithmes de codage différentiel avec échantillonnage asynchrone permettant une meilleure utilisation de l'entropie des signaux, et donc une compression maximale.

Le séjour a permis une entrée en matière dans le domaine de la théorie de la communication, et la possibilité de profiter des formations sur la théorie de l'information à travers du cours du Prof. Invité S. Mitter en Juin 2005. En conclusion, le séjour a permis d'établir de nouvelles relations avec des laboratoires, et aussi il a permis l'ouverture de nouvelles perspectives scientifiques, de structuration de nouvelles équipes (dont NeCS) et des nouvelles collaborations internationales.

Par ailleurs, un autre groupe de chercheurs (Prof. J. Aracil, prof. F. Gordillo, et F. Salas) travaille sur le problème de contrôle des oscillations dans les systèmes mécaniques. Ceci a permis d'amener quelques réflexions sur ce thème R-[128], mais aussi d'initier une thèse en co-direction (avec Prof. F. Rubio) sur le problème de compensation des vibrations dans les systèmes de forage de pétrole R-[127].

8.4 Production scientifique en chiffres

Quelques chiffres concernant la production scientifique sont montrés dans la figure 8.1.

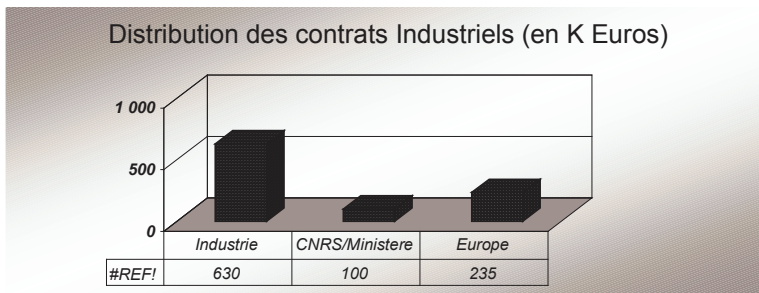
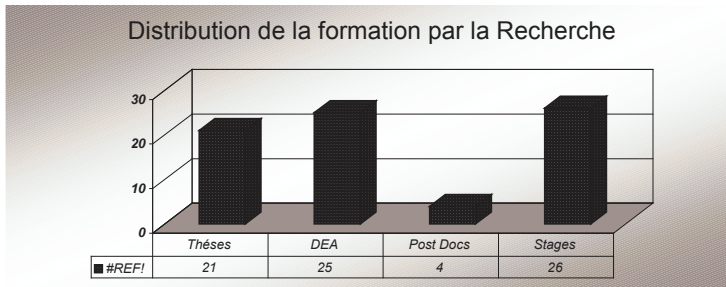
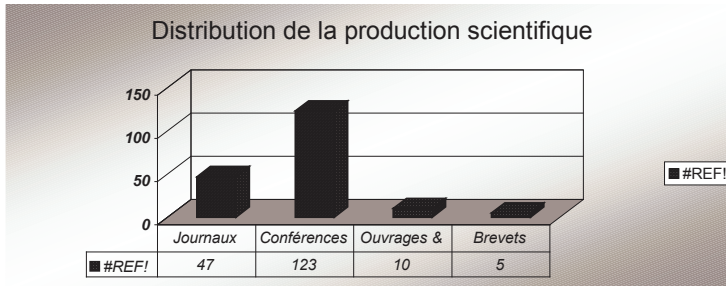


FIGURE 8.1 – Quelques chiffres sur la production scientifique.

Chapitre 9

Thématiques de recherche (jusqu'au 2006) : description détaillée

Nous présentons ci-dessous une description plus détaillée des sujet de recherche évoquées jusque là ainsi que les références des publications correspondantes, avec les labels respectifs :

- C= conférences,
- J= journaux,
- R=rapport, article soumis, note interne,
- O= ouvrage ou chapitre d'ouvrage,
- B= brevet.

9.1 Modélisation, et Commande des Systèmes avec frottement

Les premiers travaux sur la compensation adaptative des frottements sont présentés dans J-[1], et dans la conférence C-[1]. Il s'agit d'identifier les paramètres associés à une loi de frottement qui dépend de façon non linéaire de la vitesse du moteur. Une fois ce paramètre identifié, un couple de frottement, estimé sur la base de ces paramètres, est utilisé pour compenser les vrais effets du frottements. En J-[1], et dans C-[1], des lois de frottements à deux termes ont été proposées. Les premières représentent les frottements secs et les deuxièmes les frottements visqueux. Ces paramètres sont identifiés de façon indépendante pour chacun des sens de rotation. De fait, ceci amène à considérer des modèles asymétriques de frottements.

Ces lois peuvent être rendues plus précises en introduisant un troisième terme, qui décrit plus finement les comportements du frottement à basse vitesse. Ce terme est inspiré par un modèle exponentiel décroissant proposé par Tustin, qui introduit une pente négative de frottement à vitesse près de zéro. Ce comportement peut être expliqué par les micro-déplacements issus d'un régime statique à un régime dynamique en glissement. Il introduit un effet déstabilisateur à faible vitesse. Afin de compenser cet effet, il est nécessaire d'introduire des retro-alimentations positives à ces vitesses. La nécessité d'un modèle plus raffiné de frottements, permettant la linéarisation exacte des forces de frottement, est donc évidente. Les travaux C-[7], J-[6] et J-[7] proposent différentes variantes de modèles de frottements à trois termes. Ces modèles, restant linéaires dans les paramètres inconnus, sont utilisés

dans les algorithmes d'identification en ligne pour réaliser la compensation adaptative des frottements.

Une bonne précision sur les modèles de frottement est également nécessaire parce qu'une sur-compensation de frottements peut produire des cycles limites prévisibles par la méthode de fonction descriptive. Comme palliatif aux problèmes de la sur-compensation, nous avons proposé en J-[10], C-[12] de nouvelles lois de commandes permettant d'atténuer les possibles oscillations qui peuvent être produites par une sur-compensation. L'idée est d'introduire des filtres non observables du type Notch qui atténuent ponctuellement le gain du régulateur aux fréquences susceptibles de produire des oscillations. Ces fréquences peuvent être estimées de façon analytique. De tests expérimentaux concernant cette approche ont été réalisés en collaboration avec Renault Automation sur l'axe d'un robot de soudure type S-58. Ceci a permis un gain de précision d'environ 1/5 sur l'erreur de poursuite par rapport aux contrôleurs utilisés actuellement dans ces industries.

En J-[16] et , C-[32], nous présentons une nouvelle description du phénomène de frottement. Il s'agit d'un modèle dynamique qui représente plusieurs propriétés qui ont été observées expérimentalement, par exemple l'hystérésis entre la force de frottement et la vitesse, et le micro-mouvement pendant la phase d'adhésion similaire à la réponse d'un ressort. Nous présentons par ailleurs des lois de commande pour les problèmes de régulation de vitesse et de position en utilisant un compensateur de la force de frottement. Leur stabilité est démontrée par la décomposition du système en boucle fermée en l'interconnection d'un système dissipatif avec un système strictement positif réel. Les paramètres du modèle ont été classifiés en statiques et dynamiques selon leur influence sur la dépendance du frottement sur l'accélération. En conséquence des mesures à vitesse constante et avec entrée sinusoïdale ont été réalisées pour faire l'estimation des paramètres hors-ligne en utilisant des techniques de programmation non linéaire. Il est possible également de paramétrer ce modèle de façon à faire apparaître explicitement les variations des forces normales, et par conséquent de concevoir une boucle adaptative capable de prendre en compte ces variations. Ces expériences et lois de commandes ont été testées sur une plateforme expérimentale avec un moteur électrique à courant continu. Les résultats ainsi que les méthodes d'identification et la commande adaptative, ont été reportés dans J-[19]. Quelques variantes de cette approche concernant le cas plus général d'un robot à n-DOF et la dépendance de la position du frottement ont été respectivement étudiés dans C-[59, 60] .

Un contrat de recherche avec EDF-DER concernant l'application de ces idées sur un robot hydraulique à 6 degrés de liberté a été effectué en 1995. Nous avons obtenu des résultats très encourageants sur ce robot permettant une réduction de l'erreur de poursuite jusqu'à un facteur de 10 dans certains cas.

Cet ensemble d'expériences et de recherches a permis également la synthèse de ces travaux en J-[14, 18], qui présentent une récapitulation des méthodes concernant la modélisation, l'identification et la compensation des frottements.

9.1.1 Commande à haute-fréquence.

L'effet du bruit "dither" en utilisant le modèle LuGre a été étudié en C-[67], et J-[37]. Cette étude permet de formaliser et de mieux quantifier l'effet de "lissage" (smoothing) que produit un signal haute fréquence dans un système avec frottement. Contrairement aux résultats existants basés sur les

modèles sans mémoire (Coulomb), cette étude a permis de quantifier les effets moyens du signal dither en fonction de son amplitude et de sa fréquence. Ce résultat a été obtenu en modifiant les résultats “standard” de la théorie des perturbations singulières pour pouvoir analyser les systèmes continus mais pas continûment différentiables, et qui ne satisfont pas la condition de Tikhonov.

9.1.2 Commande des systèmes entraînés par des frottements.

Nous avons particulièrement étudié une nouvelle classe des systèmes mécaniques dont le transfert de puissance s’effectue à travers une interface de frottement. Les modèles dynamiques tels que le modèle LuGre (Lund-Grenoble), sont particulièrement bien adaptés pour décrire le comportement lors des vitesses de contact faibles (mouvements en pré-déplacement “stiction”). Quelques exemples de ce type de systèmes sont : les actionneurs piezo-électriques, les systèmes de traction (pneu/sol). La commande de ce type de système a été étudiée en C-[75] dans un cadre général, et appliquée aux moteurs à ultra-son dans C-[74].

9.1.3 Compensation par modulation adaptative des impulsions.

Une autre problème traité récemment, est celui de la compensation par modulation des impulsions à amplitude (ou fréquence) adaptative. Cette idée a été appliqués à la commande d’une valve de papillon utilisée dans le circuit d’admission d’air dans les moteurs à combustion J-[93]. Cette étude a été réalisée en collaboration avec le groupe de recherche de Ford Scientific Research Center, et continue dans le cadre d’une collaboration avec A. Favela (ITESM-Mexico), et Y. Orlov (CISECE-Mexico)). De travaux expérimentaux, complémentaires à J-[93] et concernant l’identification des paramètres du modèle de frottement ont été étudiés dans J-[94]. Des nouvelles études sont en cours sur les commandes à impulsions (dans un cadre plus général) avec nos partenaires au Mexique dans le cadre d’un projet de collaboration du Laboratoire Franco-Mexicain LAFMA.

9.1.4 Compensation adaptative d’excentricité, et frottement ellipsoïdaux.

Le problème de rejection des oscillations produites par une excentricité mécanique est traité en [34]. Nous proposons une commande adaptative qui est globalement stable, et qui ne nécessite pas la connaissance de l’amplitude ni de la fréquence d’oscillation (qui est en fait dépendant de la position et non du temps). Ce travail a été réalise en collaboration avec L. Praly de l’École des Mines de Paris à Fontainebleau.

Nous avons adapté notre modèle dynamique du frottement LuGre aux systèmes mécaniques avec frottement ellipsoïdaux (meshing friction). Ce phénomène a typiquement lieu dans le cas des transmissions de type vis sans fin. Nous avons mis en évidence, par des essais expérimentaux, que le frottement résultant dépend de façon périodique de la position, et que l’amplitude de ces harmoniques (spatiales), est fonction de la vitesse de rotation. En collaboration avec E. Garcia (Université de Madrid), nous avons développé un nouveaux modèle intégrant ces phénomènes J-[38].

9.1.5 Commande à gain pré-programmé.

En collaboration avec C. Vivas, et F. Rubio (Université de Sevilla), nous avons développé une nouvelle stratégie de commande à gain pré-programmé. Le système est modélisé par un système linéaire à paramètres variables (LPV), et la stratégie de commande est définie à partir d'une équation en boucle fermée résultant d'une commande nonlinéaire globalement stable. Ceci diffère de l'approche classique où on linéarise tout d'abord le système en boucle ouvert et on calcule ensuite un régulateur linéaire C-[97].

9.1.6 Modélisation et Estimation des forces de contact pneu/sol.

Nous avons adapté le modèle de frottement dynamique LuGre J-[25] au modèle de contact roue/sol. En particulier, il a été démontré que ce modèle en régime pseudo-stationnaire, contient comme cas particulier, le modèle de Pajeika C-[78, 89, 90]. A partir de ce modèle il est possible de concevoir des observateurs non linéaires pour l'estimation du niveau d'adhésion roue/sol J-[31], C-[80], O-[10], R-[41]. Les modèles obtenus sont par ailleurs utilisés pour l'optimisation des systèmes de freinage (ABS), et de traction C-[87, 87, 82].

Les travaux en 2002-2003 sur ce thème ont traité le problème d'approximation des modèles distribués (EDP) par des ODE's. Ceci a été possible par l'introduction des variables moyennes permettant, sous certain conditions, d'approcher l'effet agrégé du frottement J-[41]. Ces modèles ont également été étendus au cas de dimension 2 où les forces tangentielles et le moment d'auto-alignement sont aussi considérés. Ces extensions prennent en compte le couplage entre les forces afin de produire des modèles à partir du principe de la dissipation maximale (voir, C-[102]), J-[45]. Nous continuons nos recherches vers l'adaptation des observateurs de niveaux d'adhésion, cette fois-ci dans le cadre des systèmes multi-dimensionnels.

9.1.7 Compensation des vibrations dans des structures de forage pétrolier.

En collaboration avec : E. Navarro (Institute Mexican du Pétrole) ; M. Cochero et F. Rubio (Université de Seville) ; et R. Sepulchre, C. Germy (université de Liege).

Différents types de vibrations auto-entretenuës se manifestent fréquemment dans le train de tiges d'une structure de forage pétrolier. L'utilisation d'outils de forage monoblocs à taillants (drag bit) accentue ce phénomène. Dans la plus part des cas, ces vibrations s'amplifient au cours du temps et conduisent à une détérioration du matériel. Notamment, on relèvera des vibrations de torsion du type adhérence-glissement (stick-slip) qui peuvent conduire à des ruptures par fatigue du train de tiges ou encore des vibrations axiales responsables du désengagement complet de l'outil vis-à-vis de la roche (bit bouncing) endommageant partiellement voir totalement l'outil. Le coût de ces dégradations diverses se chiffre à des centaines de millions d'Euros par an. Le but du projet consiste à réduire les vibrations préjudiciables à la perforation.

Dans C-[127], nous avons proposé d'utiliser la force normale de perforation **WoB** (Weight on Bit) comme variable supplémentaire de contrôle pour éliminer les oscillations issues du problème

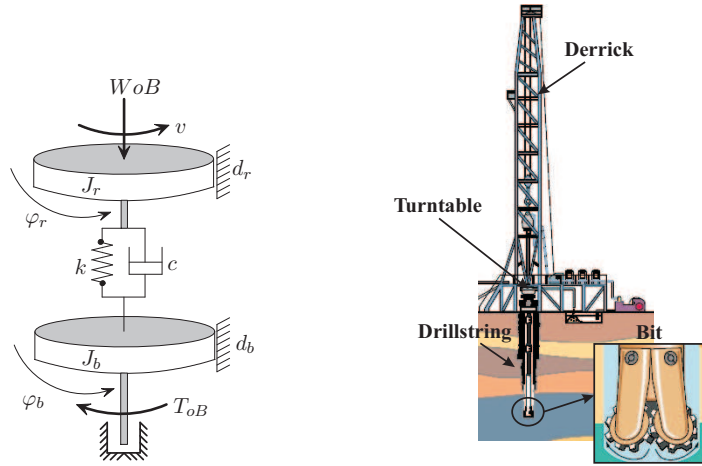


FIGURE 9.1 – Simplified model of an oilwell drillstring (left) and a vertical rotary-drilling real equipment (right)

d'adhérence-glisement. Ceci est physiquement possible par le contrôle de la tension du câble qui supporte le train de tiges. Nous proposons donc le remplacement du contrôle manuel de cette force, par un contrôle automatisé issu de notre analyse. En particulier nous avons adapté le mécanisme OSKIL (*oscillation killer*), que nous avons récemment développé en C-[128], au cas de la perforation qui présente une région localement stable entourée par une autre région contenant un cycle limite stable. Dans ces travaux, il est démontré que les oscillations d'adhérence-glisement peuvent ainsi être éliminées sans modification de la commande de vitesse de la table de rotation, voir aussi C-[139].

L projet est soutenu dans le cadre du laboratoire Franco/Mexicain d'Automatique, et la construction d'un prototype est envisagé. Dans le cadre du projet, nous avons aussi démarré une thèse (M.A. Cochero) en co-direction avec le Prof. F. Rubio de la Université de Sevilla. Mr. Cochero participera à la construction du prototype dans la période Sept.-Dec.2004, en collaboration avec l'Institut Mexican du Pétrole.

La collaboration avec l'Université de Liège concerne l'étude des phénomènes induits par le couplage entre le mouvement axial, et rotationnel. Il s'agit de développer de nouveaux modèles représentatifs (incluant la topologie de l'outil de coupe), et d'avancer dans la compréhension des phénomènes oscillatoires issue de ce couplage.

9.2 Commande des moteurs à induction.

La recherche dans ce domaine a démarré en 1990. Elle est motivée par les raisons suivantes : le moteur à induction permet d'une part d'obtenir un rendement beaucoup plus élevé que le moteur à courant continu en produisant des couples plus importants pour une consommation d'énergie équivalente ; d'autre part, les dimensions du moteur à induction étant inférieures à celles du moteur à courant direct, son utilisation dans la motorisation des robots manipulateurs est donc évidente. De plus, le moteur à induction n'ayant pas de contact physique direct avec le rotor et le stator, l'usure de ce moteur se trouve minimisée.

Ces nouvelles configurations amènent de nouveaux problèmes de commande, car les couples appliqués par le moteur à induction sont liés dynamiquement par des équations non linéaires aux variables de commande. Une dynamique additionnelle est donc à prendre en compte pour l'étude de la poursuite de stabilisation de l'ensemble des équations différentielles résultant des équations mécaniques de Lagrange et des équations électriques des moteurs à induction. Une difficulté supplémentaire vient du fait que le flux magnétique du moteur est souvent rétroalimenté dans les structures de commandes qui ont été jusqu'alors proposées, et est difficilement mesurable. Des observateurs de flux sont donc nécessaires à ce propos.

Les travaux réalisés dans la littérature concernent soit la commande des robots manipulateurs où le couple est la variable d'entrée, soit la commande de moteurs à induction concernant un seul axe. L'un des objectifs de recherche envisagé est donc de développer des schémas de commande comportant cette double modélisation, et de prévoir des solutions pour la nouvelle génération de robots manipulateurs équipés d'un tel technologie.

Les travaux concernent principalement les deux directions suivantes :

1. La dérivation de régimes d'opération optimale au sens de l'énergie et,
2. La régulation et la poursuite de couple/position pour le cas du moteur mono-axe et les robots multi-axes.

Pour le premier point, des résultats expérimentaux ont montré C-[39] l'avantage d'une approche à énergie minimale C-[29], en terme de rendement de la machine et de son facteur de puissance en régime permanent C-[41]. Cette optimisation amène à un mode de fonctionnement à flux variable contrastant avec la plupart des applications "classiques" qui se font à partir de flux constant. En variant le flux en fonction du couple désiré, il est donc possible d'optimiser les pertes du moteur. Les solutions sont obtenues à partir du calcul variationnel, ou bien en utilisant le Principe de Pointriagy. Dans quelques cas particuliers (i.e. régulation) il est possible d'obtenir des solutions analytiques. Dans le cas général ces solutions sont obtenues numériquement. On obtient alors les trajectoires optimales autour desquelles il faudrait stabiliser les trajectoires du système.

9.2.1 Commande à Énergie minimale : OPEC

Dans J-[29] il a été démontré que le problème de commande optimale pouvait être formulé plus simplement à partir du modèle de courant de dimension 2 (ce modèle découle d'une boucle interne de tension à haut gain). Des conditions nécessaires et suffisantes pour l'optimalité ont été obtenues, et il a été également montré que l'équation d'Euler qui résulte de ce problème a une et seulement une solution. Cette approche a été expérimentalement testée avec succès C-[54]. Cette solution est simple, facile à régler et compatible avec les schémas de commande classiques à flux orienté. Cette approche à énergie minimale nommée OPEC (Optimal Energy Control) a été expérimentalement testée avec succès, et a fait l'objet d'un dépôt de brevet INPG/CNRS No 98/06554. Ce brevet a été acheté par la société a Schneider Electric (cf. thèse de J. RAMIREZ) B-[1]. A partir de cette solution stationnaire présenté en J-[29], il est possible de développer des lois nonlinéaires explicites type H_2 et H_∞ . La solution type H_∞ aboutit dans une loi de commande en boucle fermée, qui réduit l'effet des perturbations type

additives (i.e. les variations paramétriques) sur la fonction de coût H_2 prise dans un horizon fini. Dans les deux cas la commande est choisie telle que la contrainte de régulation soit toujours respectée, voir C-[57].

Dans le deuxième point, on construit des commandes à retour d'état afin de stabiliser les état du système autour des trajectoires optimales obtenues dans le point 1. La poursuite de couple C-[44, 27], et J-[11] ,la poursuite de trajectoire de position pour les robots multi-axes C-[28] et la commande adaptative C-[31], ont été traités.

9.2.2 Commande sans capteur.

Nous avons établi un programme de recherche en partenariat avec Schneider Electric, sur la commande des moteurs a induction dans la période 1999-2003, et dans le cadre de la thèse de A. Youssef. Les thèmes étudiés sont : la commande avec limitation de courant et l'estimation de courant de bus (dépôt de brevet B-[2]), et la commande sans capteur de vitesse. Nous avons aussi mise en évidence les problèmes de singularités d'observabilité. Dans C-[86] nous avons formellement caractérisé les conditions dans lesquels le moteur n'est pas observable. Ce travail est le résultat d'un groupe de travail du GdR sur ce thème. Dans C-[95] nous avons proposé un observateur de position et de vitesse pour une machine synchrone. La méthode est basée sur des principes similaires a ceux des PLL.

En 2003, nous travaillons sur le problème de stabilisation pratique (u.u.s) des systèmes ayant des singularités d'observation à l'équilibre (c'est le cas pour le problème de contrôle des moteurs synchrone et asynchrone, lors d'une stabilisation de la vitesse à zéro en utilisant uniquement la mesure du courant).

9.3 Commande des systèmes mécaniques avec des contraintes non-holonomes.

La commande de robots mobiles possédant deux degrés de liberté et des contraintes non holonomiques représente un cas intéressant pour l'étude des problèmes de stabilisation des systèmes non linéaires. Ce sont des systèmes localement commandables dans le sens défini par l'algèbre de Lie (en boucle ouverte), mais ils ne sont pas stabilisables par des retours d'états continus. Nous étudions actuellement des lois discontinues pour ce type de système.

Une autre difficulté présentée par ce système vient du fait que la trajectoire de référence n'est pas nécessairement connue a priori, et elle peut changer en fonction de la stratégie résultante du plan de navigation.

C'est le cas de AGV (Autonomous Guided Vehicles), dont la trajectoire de référence est déterminée par des critères locaux dépendants de la géométrie de l'environnement. Le choix de la loi de commande, et plus particulièrement le choix de gain associé à cette commande, doit être dicté par les saturations des actionneurs en relation avec les accélérations maximales du véhicule. Du fait que la prédiction hors-ligne des erreurs de poursuite est impossible et que la trajectoire de référence peut changer à chaque instant (pour les raisons mentionnées précédemment), un choix fixe de gain ne permet pas d'assurer

en permanence une compatibilité entre les accélérations demandées et les limites des actionneurs.

Des méthodes dites d'échelonnement dans le temps (time-scaling) ont été appliquées à la commande dynamique d'un robot mobile ayant deux degrés de liberté et des contraintes non holonomiques, voir C-[20]. La technique consiste à spécifier une trajectoire dans l'espace, indépendante du temps, et d'obtenir la dépendance temporelle de cette trajectoire par le biais de la solution d'une équation différentielle, tout en vérifiant les contraintes des actionneurs.

Cette idée peut être également vue comme étant une deuxième boucle qui modifie en ligne la vitesse de référence, de sorte que l'on puisse vérifier les contraintes imposées par les actionneurs. Cette technique a été expérimentée avec succès sur un robot mobile à deux degrés de liberté (speed board produit par la société ALEPH-Technologies pour l'éducation et la recherche). Des collaborations ont été aussi établies avec le centre de recherche en robotique INRIA-Sophia Antipolis.

Le problème de stabilisation d'un robot mobile à deux degrés de liberté (vers une posture constante) pose d'autres problèmes que ceux de la saturation. En fait, les robots mobiles de même que d'autres systèmes mécaniques ayant des contraintes nonholonomes, ne peuvent pas être stabilisés par des retours d'état continus. La stabilisation ne peut donc s'effectuer que par des lois instationnaires (variantes dans le temps) ou par des lois discontinues.

Les lois discontinues permettant une convergence exponentielle ont été étudiées en J-[12]. Nous avons en outre étudié l'extension de ces idées au cas de la poursuite d'un chemin J-[13] C-[25, 26], à la stabilisation d'un corps rigide avec deux axes de rotation C-[30] et à une autre classe de systèmes non linéaires en 2-D et 3-D, par le biais d'un changement de coordonnées C-[24]. Une panorama général des ses lois est donné dans un chapitre d'un livre consacré à la robotique mobile O-[6].

La continuation de ces travaux et l'établissement de nouvelles approches "quasi-continues", ont été réalisés dans C-[45]. Nous avons étudié la stabilisation d'une classe plus grande de systèmes, en utilisant les concepts de variétés invariants C-[50]. Des aspects liés à la robustesse de ces commandes ont été étudiés dans C-[48]. Ce type de commande possède des singularités dans un plan de l'espace d'état. Il est cependant possible d'éviter ces singularités structurales en imposant des changements à la loi de départ (en basculant entre deux lois non singulières) tout en préservant la convergence exponentielle uniforme (par rapport aux conditions initiales). L'une différence importante par rapport aux autres approches réside dans le fait que le taux de convergence exponentielle peut être fixé de façon arbitraire.

Une autre approche de type "lois instationnaires" pour une classe plus générale de systèmes Hamiltoniens (avec des contraintes non-holonomes) a été effectuée en collaboration avec l'Université de Twente, Pays Bas, voir C-[47]. Les lois développées ici ont comme point de départ la combinaison convexe, par des coefficients variant dans le temps, de deux lois continues chacune associée à un ensemble invariant contenant l'origine. Ces lois sont construites de sorte que l'intersection de ces invariants soit uniquement l'origine.

Cette même idée a été étendue en C-[59] aux systèmes linéaires multi-entrées possédant uniquement un actionneur, qui doit être appliqué séquentiellement à chacune des entrées du système. L'action de partage de l'actionneur est due à la démultiplication de la commande vers les entrées du système. Il est montré que une telle commande peut être utilisée pour la stabilisation asymptotique d'une classe de

systèmes linéaires, qui ne sont stabilisables individuellement par aucune des entrées de façon séparée. Les résultats sont donnés en termes d'inégalités linéaires matricielles LMI.

La stabilisation pratique des systèmes non linéaires en forme chaîne, par le biais d'une commande hybride (une partie continue par morceaux et une autre constante par morceaux) a été étudiée en C-[43] en collaboration avec l'Université de Twente, Pays Bas. Ces lois ont été portées à l'expérimentation et les résultats sont publiés dans C-[42] et J-[21]. Cette collaboration a été établie dans le cadre du programme de Capital Humain et Mobilité (CHM).

Un autre domaine d'intérêt est celui des robots mobiles multi-corps. Ceux-ci sont constitués de chariots connectés en forme de train ou de convoi (liaison virtuelle). L'objectif poursuivi est de dériver des lois de commande pour garantir un mouvement du type "suivi du leader". L'application principale est le déplacement dans des environnements confinés ou encombrés.

La nonholonomie caractérisant chacun des chariots rejaillit sur l'ensemble du système du robot multi-corps, accroissant la complexité de sa commande; de même le système hérite du principal problème de commande des robots mobiles, qui est l'absence de commandes stabilisantes continues.

La commande d'un ensemble de chariots connectés formant un train a été étudiée en C-[36]. Ce travail a été effectué en collaboration avec le CEA dans le cadre du Projet TLV (Jan 92- Sept.93), les résultats expérimentaux sont publiés dans J-[20].

Les travaux portant sur la commande d'un convoi constitué de chariots indépendants ont dérivé de ce précédent résultat. L'objectif est d'assurer le suivi du "leader" tout en maintenant constante la distance entre les chariots C-[38]. Ce problème a été formulé en considérant que les commandes sont homogènes aux vitesses du véhicule. Il est néanmoins possible de rajouter des intégrateurs en cascade de sorte que les commandes soient homogènes à des accélérations (ou couples), voir C-[49], tout en assurant la stabilité de la boucle fermée. La synthèse de la commande utilisée ici se base sur les idées du "block back-stepping". Cette approche est équivalente à l'étude de la commande latérale et longitudinale d'un convoi de voitures, généralisable à une classe de systèmes mobiles multi-corps C-[60]. Cf. thèse de A. Ndoudi-Likoho.

Toujours pour approfondir les concepts de "suivi du leader" un projet d'étude d'un bras manipulateur hyper-redondant pour le CEA ré-utilise certains des résultats précédents (travaux de DEA de C. Flaven 1997). Un autre travail, à l'initiative de RENAULT fut d'établir des lois de commande pour piloter un bus en phase d'accostage (travaux de DEA de P. Bergon 1997). Ce travail se limite à la commande en angle de braquage du bus à partir des contraintes cinématiques.

9.4 Commande des Robots

9.4.1 Identification de paramètres.

L'identification des paramètres associés aux modèles linéaires dits "boite noire" a constitué le fondement de la recherche des algorithmes d'identification dans les années 60-70. En général, ces modèles étaient des modèles discrets dont les paramètres étaient inconnus. L'obtention des expressions analytiques décrivant la relation entre ces paramètres et les paramètres physiques du procédé (résistances, capacitances, raideurs, inerties, etc) sont, en général, des expressions non linéaires difficiles à obtenir.

L'intérêt de la connaissance de ces relations est d'introduire la connaissance à priori sur la physique du procédé afin de réduire la taille de l'estimateur et/ou de réduire les problèmes numériques liés aux séquences-tests utilisées pendant l'estimation paramétrique. Par ailleurs, l'identification en ligne des paramètres physiques a un intérêt primordial dans la surveillance des variations de ces paramètres et/ou des changements brutaux (i.e. les variations résistives et capacitives des lignes électriques dans les réseaux de puissance).

Dans les travaux C-[3, 6], et J-[2, 5] des algorithmes d'estimation récursive sont adaptés pour l'identification des paramètres associés aux modèles de connaissance. En C-[6] nous avons développé des variantes aux algorithmes d'estimation des moindres carrés qui permettent de prendre en compte explicitement des perturbations bornées du type déterministique, dont on connaît une borne supérieure. Un traitement extensif de ces algorithmes, lorsqu'une partie de ces paramètres est connue à priori, est développé dans l'ouvrage O-[1].

L'utilité de cette approche est d'autant plus forte que l'on traite des systèmes non linéaires, pour lesquels l'approche dite "boite noire" n'est valable que si on approche le modèle non linéaire par un modèle tangent linéaire. La validité de ce modèle devient douteuse lorsqu'on traite les problèmes de poursuite pour lesquels on aurait formellement besoin d'une infinité de modèles valables dans chaque point de fonctionnement.

Les modèles dynamiques des robots manipulateurs sont des modèles non linéaires (dans les états) linéairement paramétrisables. Dans les travaux J-[1, 18, 5], O-[1] et plus particulièrement en C-[17, 21], J-[15] nous avons appliqué les méthodes mentionnés précédemment.

9.4.2 Robots sous-marine

Nous avons travaillé sur les problèmes de commande des robot sous-marin VORTEX/PA10 en collaboration avec la société IFREMER entre 1994 et 1999. Le VORTEX est un engin sous-marin équipé de propelles permettant son actionnement dans tous les degrés de liberté. Le manipulateur PA10 de 7 degrés de liberté est placé sur la partie inférieure du VORTEX. L'ensemble constitue un système mécanique a 13 degrés de liberté complètement actionnés.

Le système VORTEX/PA10 combine donc deux sous-systèmes de dynamiques différentes. Cette disparité est la conséquence de taux d'échantillonnage différents pour les capteurs du VORTEX et ceux du PA10, ceux du premier étant les plus lents. C-[65]

A cette difficulté technologique, s'ajoutent toutes les non-linéarités dues aux forces hydrodynamiques et aux perturbations des courants marins. En opposition aux manipulateurs à "base fixe", pour lesquels la théorie est bien établie, les robots manipulateurs montés sur une " base flottante " (comme le PA10 sur le VORTEX), sont plus complexes.

Nos premiers travaux concernant cette classe de systèmes ont été dirigés, en utilisant l'effet des dynamiques différentes, vers une formulation de type perturbations singulières C-[69, 66]. A partir de cette approche, la commande non linéaire robuste peut être utilisée uniquement sur le VORTEX afin de compenser les termes : hydrodynamiques et de couplage C-[71]. Cette commande permet en effet d'avoir une performance très supérieure à une commande purement linéaire tout en restant simple et non-dépendante de la connaissance explicite des termes inertiels. C-[2] J-[36]. Cf. thèse de E. Olguin.

9.4.3 Robots Marcheurs

Les robots à pattes posent des problèmes de commande spécifiques, très distincts de ceux de la robotique des bras manipulateurs et des robots mobiles à roues. La compréhension des phénomènes impliqués, du point de vue de l'analyse fonctionnelle, est cependant encore loin d'être complète et il semble légitime de penser que les méthodes et techniques de l'Automatique, jusqu'à présent relativement peu sollicitées et représentées dans la littérature sur le sujet, devraient permettre de progresser et d'apporter de nouvelles réponses.

Nous nous sommes attachés dans un premier temps à caractériser des trajectoires à énergie minimale pour un exemple simple de robot bipède à 4 degrés de liberté. Une étude comparative de différentes méthodes de paramétrisation de la marche humaine en vue de l'optimisation a été faite dans C-[72]. La dynamique du robot, sur un cycle complet de marche comprenant les phases de simple et double support ainsi que les phases de transition, est multiple (une pour chaque phase), soumise à des contraintes unilatérales (présence du sol) et hybride (dynamique discrète des phases de transition). La réalisation d'un générateur d'une marche optimale avec une telle dynamique a montré que les résultats de consommation énergie du robot peuvent être comparés à certains résultats biomécaniques.

Une problématique spécifique que l'on souhaite étudier porte sur la résolution de l'adéquation Mécanique-Commande pour l'obtention de systèmes mécaniques articulés et de lois de commande associées permettant la réalisation et la stabilisation avec faible consommation d'énergie pour des déplacements à vitesse constante. Ceci s'accompagnera d'une étude portant sur l'existence, la classification et la caractérisation de cycles dynamiques non-forcés (ou naturels) et de comportements chaotiques possibles. Quelques travaux ont été déjà réalisés dans cette direction, C-[63], c.f. thèse de L. Roussel.

Ce projet concerne de très près notre collaboration avec le groupe de robotique de l'INRIA-RA sur la conception et le développement d'un robot bipède anthropomorphe RABBIT, et la construction du simulateur LAPIN dans le cadre du projet PRC-GdR que nous avons initié avec B. Espiau en 1998.

En 2000 nous avons initié des nouveaux travaux sur la stabilisation orbitale des systèmes sous-actionnés. Dans un premier temps, nous avons étudié le problème de balancement (stabilisation orbitale) du pendubot C-[98] dans le cadre de la thèse de C. Urrea.

Dans les études effectuées jusqu'à présent sur le Rabbit (Marche en simple support, stabilisation orbitale...), le bipède n'est considéré qu'en appui sur une seule jambe (simple support). Sous cette considération, le robot bipède peut être vu comme un pendule inversé de caractéristiques variable dans le temps. Pour une étude de la marche avec double supports (c-a-d une marche où il existe une période de durée non nulle, pendant laquelle les deux pieds du bipède sont en contact avec le sol), le modèle pendule inverse n'est plus applicable. Nous avons donc proposé un nouveau modèle, dit "modèle bloc". Où le robot est considéré à l'instant du double impact comme un bloc rigide de caractéristiques (base du bloc, position du CdM, inertie...) variable en fonction de la configuration pré-impact du bipède (voir figure rabbit-bloc.eps). La problématique est donc de déterminer les conditions qui permettent d'obtenir une phase de double support après un impact de la jambe libre du Robot sur le sol. On montre qu'il existe une condition nécessaire liant la position du CdM, l'inertie et la masse du robot. Cette condition peut se ramener à une condition sur la configuration pré-impact du

robot. Le problème d’obtenir une marche en double support est donc de présenter le robot dans une configuration adéquate au moment de l’impact. Ce thème est développé dans le cadre la thèse de J. Matieux, en co-tutelle avec B. Brogliato à l’INRIA-RA.

Nous participons au projet ROBEA (continuation PRC-GdR Automatique) sur les robots à pattes. Le laboratoire a participé activement à l’élaboration du prototype RABBIT qui a été spécifiquement conçu pour comprendre les problèmes fondamentaux de commande posés par la locomotion. Le principe de la commande consiste à définir $(n - 1)$ sorties (pour un système à n -DOF) qui sont rendues invariantes par les $(n - 1)$ entrées disponibles, et d’étudier la dynamique zéro résultant à dimension 2. Cette dynamique est dite hybride, car comporte aussi des “sauts” due à la nature intrinsèquement discontinue du contact avec le sol. Une présentation synthétique des principaux résultats obtenus dans le projet peut être consultée en J-[39]. En J-[40], nous avons étendu cette technique au problème de la marche à vitesse variable. Ce travaux ont été réalisés en collaboration avec J. Grizzle (Université de Michigan), et E. Westervelt (Ohio university). L’un des points clés dans le succès de cette recherche a été l’utilisation du concept des contraintes virtuelles, voir J-[43].

Parallèlement à l’étude de la marche elle même, d’autres sujets doivent être abordés pour maîtriser le mouvement d’un bipède (courir, rester debout, se balancer). Le problème du balancement stable peut être vu comme un problème de contrôle des cycles non-triviaux d’un pendule inverse (bipède en simple support) à plusieurs degrés de liberté, avec la possibilité d’imposer un cycle quelconque. Les premier résultats C-[98, 101] sont obtenus en forçant la dynamique zéro à se comporter selon la dynamique d’un exo-système pré-défini (“dynamic matching condition”). Ceci est possible si la solution d’une autre équation non linéaire variant dans le temps d’ordre 2 (états internes du contrôleur) possède une solution bornée. L’étude d’une telle équation est difficile. Cependant, il est possible, grâce à la variation périodique temporelle de cette équation, d’étudier l’EDO moyennée associée. Il est notamment possible d’obtenir les courbes intégrales de cette équation, et donc de caractériser les conditions indicielles des variable internes du régulateur garantissant la stabilité interne du cycle C-[103].

Il est possible d’utiliser explicitement les curves intégrales (caractérisées C-[103]) de la dynamique zero dans la conception de la loi de commande. La méthode développée en J-[?], à permit de traiter des systèmes pendulaires (chariot-pendule, et le pendule de Furuta , voir C-[117]), ansi que le Robot Rabbit contraint à 3-d.o.f. C-[118]

9.4.4 Commande des robots en force et position.

Ce sujet est motivé par le besoin de contrôler les forces d’interaction entre l’ actionneur du manipulateur et l’environnement. Les tâches typiques représentatives de cette situation sont par exemple les tâches de soudure, d’ébarbage, de nettoyage des parois, de manipulation fine d’objets. Des lois de commande permettent aujourd’hui de découpler l’espace tâche en deux sous espaces orthogonaux : un sous espace commandable en force, et l’autre commandable en position. Ce schéma suppose la connaissance explicite de la géométrie de la surface en contact, et en général la connaissance de la raideur de cette surface ; ces hypothèses ne sont en général pas vérifiées. Des lois adaptatives basées sur le principe des lois d’impédance permettent de prendre en compte ces difficultés J-[24]. L’extension pour le cas de robots à n -degrés de liberté est donnée en J-[28, 35], C-[53, 55, 56, 57].

Nous avons développé à ce propos un prototype d'étude qui se constitue d'un robot plan à deux degrés de liberté équipé de capteurs de force latéraux et de capteurs de force localisés dans l'actionneur (Robot CAPRI).

9.5 Commande des véhicules

Le thème de la conduite automatique est au coeur des réflexions européennes actuelles sur le concept d'autoroutes automatisées. L'objectif des recherches engagées sur ce sujet est de commencer à proposer des concepts intermédiaires réalistes entre le tout automatique et les simples systèmes d'aides à la conduite (actifs ou passifs). La piste envisagée aujourd'hui est celle du train de véhicules sur autoroute, c'est à dire un convoi limité en nombre, dont le premier véhicule est conduit manuellement (avec éventuellement des systèmes actifs d'aide au contrôle latéral et longitudinal) et dont les autres suivent automatiquement, ce qui doit, en principe, d'induire une réduction substantielle de la consommation des véhicules, et de la fatigue des conducteurs.

Nous nous sommes fortement impliqués dans cette thématique dans le cadre de la thèse de X. Claeys en co-direction avec H. Béchart (Direction de la Recherche Renault). Le sujet traitant la commande latérale et longitudinale des véhicules avec la prise en compte des dynamiques asymétriques des actionneurs a débuté en septembre 1997 et concernait particulièrement les poids lourds.

9.5.1 Poids lourds et bus urbains

L'un des premiers travaux dans ce domaine fut d'établir des lois de commande permettant de piloter un bus en phase d'accostage dans le cadre du DEA de P. Bergon . Ce travail se limite à la commande en angle de braquage du bus à partir des contraintes cinématiques. Nous avons après été fortement impliqués dans les travaux relatifs à la conduite automatique en collaboration avec Renault Véhicules Industriels, et la Direction de la Recherche.

En ce qui concerne les poids lourds, notre étude a porté dans un premier temps sur la commande et la modélisation de l'actionneur de direction pour ensuite étudier le problème de suivi d'une cible.

Renault nous a fourni au départ un modèle évolué pour la direction assistée d'un bus (du volant jusqu'aux roues). Il nous a fallu modifier ce modèle pour l'adapter aux poids lourds. La partie modélisation a constitué une grosse part de notre travail. Le modèle obtenu est très satisfaisant et sera sans doute utilisé au sein de l'entreprise pour mieux concevoir les boîtiers d'assistance hydraulique. Il permettra de préciser plus finement au constructeur du boîtier (l'Allemand ZF) les exigences requises par le système. Voir R-[1].

Une fois le modèle d'actionneur bien posé nous avons étudié la commande pour asservir l'angle roue d'un poids lourd à partir d'un moteur situé sur la colonne volant de la direction. Cette étude a été menée de façon progressive en partant des contrôleurs élémentaires utilisés en automatique puis en augmentant le degré de complexité de la commande pour répondre mieux au cahier des charges exigeant des systèmes de conduite automatique.

Nous avons finalement opté pour des contrôleurs simple type PD ou éventuellement un peu plus élaborés type commande robuste sur lesquels nous avons ajouté un étage de pré-programmation de

la référence en utilisant une mesure de pression supplémentaire. Nous avons démontré une propriété de passivité de l'actionneur qui nous permet de garantir la stabilité des lois de commandes qui sont implémentées C-[77, 76] , via une étude de base sur des fonctions de Lyapunov. Le modèle de direction et la technique de la commande a donné lieu à un dépôt du brevet B-[3].

Ensuite nous avons abordé la partie commande latérale de haut niveau, qui consiste à trouver l'angle de référence à appliquer au système pour suivre une trajectoire cible. L'approche envisagée est relativement simple pour le moment : d'abord nous avons mis en équation le système en négligeant l'influence de la dynamique du véhicule. Nous nous basons pour le moment sur les équations cinématiques des véhicules leader et suiveurs que nous avons écrites à l'aide des variables d'intérêt pour la commande du système (suivant les mesures capteurs disponibles) C-[83, 84]

A partir de ce modèle nous pouvons envisager plusieurs commandes ; dans un premier temps l'approche qui consiste à linéariser la variable d'intérêt (écart latéral du véhicule par rapport à la cible) à été étudiée avec succès et donne des résultats assez satisfaisants. Les commandes ont été évaluées sur le simulateur très complet développé chez Renault VI : pour cela une procédure d'évaluation complète a été définie et a été testée (Janv. 2002). Par la suite, ces travaux seront testés dans le prototype développé par RVI, dans le cadre du projet Européen Chauffeur 2.

Une étude a été réalisée sur le problème de la stabilité dit "stabilité en chaîne" C-[81].

9.5.2 Modélisation et estimation des forces de contact pneu/sol.

Voir la section 9.1.

9.5.3 Direction électrique assistée (DAE).

Le commande d'une direction assistée électrique(DAE), pose le problème de définir un modèle de référence (ou d'agrément), puis de concevoir une commande qui suit les références produites par le modèle. Le modèle proposé en C-[91] inclus un étage d'amplification similaire à celui d'une assistance hydraulique, un effet de rappel, et un effet d'anti-collage (le volant doit revenir à sa position centrale après un relâchement du volant de la part du conducteur). La commande proposée C-[92] a deux boucles principales : une boucle interne conçue pour compenser des flexibilités mécaniques, et une boucle externe de position. Ce travail a été réalisé en collaboration avec la Direction de la Recherche de RENAULT, et des essais expérimentaux ont été réalisés sur une Twingo. Ce travail s'est poursuivi dans le cadre du DEA de E. Wiltran en 2001/2002, et au travers de la réalisation d'une station test avec volant actif (voir les prototypes dans la section 14.4), finance partiellement par le CNRS.

9.5.4 La conduite par fil SbW (steer-by-wire).

L'objectif de la commande d'une direction par fil est de garantir certaines propriétés en boucle fermée telles que : sûreté, confort de conduite. Ces caractéristiques étant subjectives, elles sont remplacées par des spécifications mathématiques tels que la passivité et par la notion de transparence utilisée dans la télé-manipulation. Une première tâche a consisté à formuler ce problème comme un problème d'optimisation multi-critères qui peut être résolu par la solution des LMI C-[88].

Depuis, nous avons initié une collaboration avec le Centre de recherche de Renault à Guyancourt (Technocentre), dans le cadre la thèse CIFRE de Julien Coudon (démarre en Nov. 2003, en Co-direction avec Xavier Clayes), sur un des aspects importants de la direction par fil. Cette architecture présente un certain nombre d'avantages, tant au niveau de la sécurité et du confort du conducteur que de la conception même du véhicule, de part l'absence de colonne de direction sous le capot.

Plusieurs solutions ont été envisagées afin de commander le couple ressenti par le conducteur. Certaines sont basées sur des modèles de restitution qui on été établis après de nombreuses analyses sensorielles. D'autres mesurent l'effort au niveau des roues qui est ensuite reproduit au niveau du volant. Une combinaison des deux approches précédentes a aussi été envisagée.

Au final, s'il n'est pas toujours souhaitable de retranscrire intégralement au volant tous les efforts effectués au niveau des roues, il est indispensable pour des raisons de sécurité d'informer le conducteur du comportement réel de son véhicule. Trancher entre une restitution exacte des phénomènes, une sélection intelligente des informations ou une modélisation du comportement est un problème complexe. Il est donc nécessaire de bien comprendre le fonctionnement des différentes méthodes citées précédemment afin de trouver une solution cohérente au problème. Un outil de simulation a donc été développé afin de tester en temps réel les différentes lois de commande énoncées ci-dessus ainsi que leurs améliorations futures.

A l'heure actuelle, un "modèle de référence" visant à décrire le comportement souhaité d'une direction insérée dans un véhicule a été mis au point, voir C-[130]. Une fois implanté sur un véhicule à direction découplée, ce modèle permet de fournir au conducteur une image des efforts présents au niveau des roues. Un couple "stabilisant" est généré par le modèle et modifie le ressenti du conducteur ainsi que le comportement dynamique du véhicule. Il existe cependant plusieurs stratégies afin d'implanter le modèle de référence sur un véhicule. Ces différentes méthodes sont en cours d'élaboration.

Issues de ces travaux deux brevets sur des concepts nouveaux concernant les architectures de SbW ont été déposés. Le premier concerne un nouveaux procédé de pilotage de l'angle de chasse des roues avant en fonction de la démultiplication globale de la direction B-[10], et le deuxième est un nouveaux procédé de compensation des variations de couple dans le volant dues à une modification de la chasse des roues avant B-[9].

9.5.5 Commande optimale d'embrayage sec.

Un autre thème en collaboration avec Renault concerne les études sur l'amélioration de l'agrément de conduite par filtrage-assistance de la commande hydraulique de l'embrayage, et l'analyse du phénomène des à-coups par modélisation fine de l'embrayage et de la commande de la chaîne de transmission par l'actionnement de l'embrayage. Cette étude se fait dans le cadre de la thèse CIFRE de Pietro Dolcini en co-direction avec Hubert Béchart de Chez-Renault qui a démarrée en Sept. 2003.

Pour différentes raisons (réduction du poids des voitures, limitation VNH (vibration, noise, harshness)) la raideur des transmissions des nouvelles voitures diminue. Ce fait, combiné avec la progression de la puissance des nouvelles générations de propulseurs, rend les oscillations de la chaîne de transmission lors des manoeuvres employant l'embrayage ou accélérations soudaines très gênantes vis à vis de l'agrément de conduite.

La collaboration avec Renault vise à analyser l'origine des phénomènes d'à-coups au décollage et passage vitesses et à étudier les solutions possibles, de la plu simples comme la pose d'un filtre sur la commande hydraulique de l'embrayage jusqu'à la commande de l'embrayage par actionneur soit dans un cadre by-wire soit boîte de vitesses robotisée (BVR).

La solution la plus prometteuse est une commande optimale en temps fini en forme symbolique assurant la fermeture de l'embrayage sans exciter les modes vibratoires de la chaîne cinématique, C-[122]. Cette loi a été robustifiée, et complété avec des observateurs (pour estimer le frottement entre les plaques de la DVA, C-[138]) permettant son implementation en temps réel, voir C-[126]. Cette loi sera prochainement expérimentée sur un prototype Clio 1.5dci BVR pour vérifier son fonctionnement dans un cadre réel. Voir aussi J-[129].

Issues de ces travaux deux brevets sont en cour de dépôt. Un sur une stratégie nouvelle de commande optimale d'embrayage B-[6], et l'autre sur la stratégie de commande du couple moteur par observateur B-[5].

9.5.6 Contrôle de inter-distance

Action fédérative élaborée dans le cadre du PREDIT, le projet ARCOS a l'ambition de mettre en oeuvre une approche globale du système "véhicule-conducteur-infrastructure", en vue de contribuer à l'amélioration de la sécurité routière (voir <http://www.arcos2004.com/>). L'enjeu de cette action n'est pas la technique en elle-même, mais sa contribution à l'élaboration de nouvelles fonctions sécuritaires. Nous avons défini deux axes d'étude :

1. La conception d'un régulateur "nominal" (les dynamiques des actionneurs liées aux actions longitudinales tels que le système moto-propulseur, et le système de freinage, sont d'abord négligées) dit ACC++, ayant la capacité de générer des freinages d'urgence. Nous proposons la conception d'une architecture de commande multi-capteurs multi-régulateurs. Il s'agit de concevoir un régulateur longitudinal pour chaque capteur de nature différente (radar, lasser et vision) mesurant l'inter-distance entre deux véhicules, et de proposer une stratégie de basculement entre ces commandes, en garantissant un certain niveau de sécurité. Nous développons également un modèle de référence pour les inter-distances, permettant d'intégrer des contraintes de sécurité de confort, ainsi que des informations propres aux conditions de la route C-[109].
2. A partir de la connaissance de l'état du véhicule (vecteur vitesse) et des conditions d'adhérence, nous proposons de calculer l'espace des trajectoires possibles et de comparer cet espace à l'espace rutable disponible (obtenu à partir de la localisation précise dans une base de données géographique et à la perception des obstacles) afin de prédire le TLC (Time-line-crossing), temps de sortie de route. Pour ceci nous avons développé avec J.-J. Martinez (thesard) J.-C. Avila (Post. Doc.) un modèle de bicyclette intégrant les modèles 2D dynamiques, et construit un prédicteur de trajectoire R-[6, 5], C-[108].

Un résultat important issue de ce projet, a été le développement d'un modèle d'inter-distances capable d'assurer un certain niveaux de confort tout en garantissant que les inter-distances véhiculaires sont maintenues à l'extérieur d'un seuil de sécurité, évitant des collisions lors d'un arrêt brutal du

véhicule. Ce modèle est issue des equations physiques du contact complainte, et permettent de calculer les courbes intégrales associées à la distance inter-véhiculaire, et la vitesse du véhicule C-[113].

Ce modèle a été aussi utilisé pour la prédiction d'interdistances dans un mode préventif, C-[123]. Cette prévention, permettre au conducteur de agir avec suffisamment d'anticipation pour éviter les collisions frontales. Le système est basé sur la prédiction de la trajectoire du véhicule dans dans un interval du temps fini. Les signaux issue de la prédiction, et du modèle de inter-distances sont utilisées pour déterminer le niveaux de sécurité associe à la conduite, et prévenir au conducteur en cas d'une conduite potentiellement dangereuse.

9.5.7 Commande du flux de véhicules.

En réponse à l'augmentation des situations de congestion autour des métropoles, nous travaillons sur le développement d'algorithmes de commande qui permettent d'influencer le trafic en espace et en temps afin d'accroître la fluidité. L'objectif final étant de proposer un algorithme de contrôle d'accès coordonné qui prenne en compte l'impact spatial des congestions, nous avons défini un modèle macroscopique de trafic sous forme de tronçons inter-connectés. L'évolution du trafic est décrite par des équations aux dérivées partielles dans chaque tronçon avec des conditions aux limites simples et les noeuds du réseau sont représentés par des contraintes algébriques. La validation de ce modèle avec des données réelles dans le cadre d'une collaboration avec la DDE Isère est en cours. La commande du trafic peut être considérée comme un problème de commande optimale des systèmes distribués et des études sont conduites dans cette direction actuellement C-[125], C-[121]. Ce projet a été initié en Sept 2003, dans le cadre de la these de Denis Jacquet, et en co-direction avec D. Konic au LAG.

Les dernières publications dans ce domaine sont, C-[132], C-[134], C-[135], et C-[136].

9.6 Stabilisation des systèmes non-linéaires

9.6.1 Stabilisation par haut-gain.

Nous avons utilisé les modèles dynamiques de frottement pour introduire une nouvelle classe de régulateurs à haut-gain. Dans la mesure où ces modèles sont conçus pour introduire une régularisation des fonctions discontinues, ils peuvent être utilisés comme des filtres (spatiaux) pour réduire les vibrations à haute fréquences ("chattering") produites par les fonctions signe classiquement utilisées dans les approches type "sliding-mode". En C-[85] nous avons montré les propriétés de stabilisation de ce régulateurs, ainsi que la méthodologie propre à leur synthèse. Une généralisation a été donnée en C-[99].

9.6.2 Stabilisation orbitale.

Dans de nombreuses applications, le mode naturel d'opération est oscillatoire (robot marcheurs, machines tournantes, atterrissage synchrone des hélicoptères dans un porte-avion, etc.). Il est donc intéressant d'étudier les mécanismes permettant de forcer des oscillations dans les dynamiques internes de ces systèmes. Nous avons proposé une méthode pour la génération des cycles globalement attractifs.

La méthode consiste à définir des sorties, qui une fois rendues invariantes, forcent l'apparition d'un cycle limite dans la dynamique zéro. Nous donnons aussi les conditions qui, si la dynamique zéro est oscillatoire, font que tous les états du système le sont aussi. La méthode est illustrée dans la commande de couple d'un moteur asynchrone, dont l'évolution du flux est forcée à présenter un cycle particulier utile dans la compensation des ondulations magnétiques du stator C-[96], J-[42]. Un étude synthétisant ces travaux peut-être consulté dans le chapitre du livre, O-[11].

Le problème de stabilisation orbitale pour les systèmes sous-actionnés à été traité en J-[46]. Ces travaux présentent une méthode constructive pour la génération et la stabilisation des orbites périodiques. La méthode s'applique à tout système mécanique avec un degré de sous-actionnement égal à $n - 1$. La structure de la loi de commande qui en résulte est non linéaire et variante dans le temps. Elle est conçue à partir des intégrales premières de la dynamique zéro résultante. Elle découle de la notion de contraintes virtuelles amplement utilisée dans le cadre de la stabilisation orbitale de ce type de systèmes (voir C-[106]). La loi de commande proposée est localement exponentiellement stable. Cette méthodologie a été appliquée à des exemples connus tel que : le pendule inverse de Furuta, le chariot-pendule, et un pendule rotationnel à 3-d.o.f., voir C-[117].

9.6.3 Extincteur des oscillations

Il existe une classe de systèmes non-linéaires pour lesquels des oscillations maintenues (cycles limites) apparaissent comme conséquence de : perturbations externes, changes des paramètres physiques, variations des signaux de références, etc. Parmi des exemples de tels systèmes on a : des systèmes mécaniques, des réseaux électriques, des systèmes de puissance, etc.

Les cycles limites produits par l'interaction entre des systèmes mécaniques avec frottement, et en particulier lorsque ce système ont des interactions avec leurs environnement (machines à outils, systèmes télé-opérés, systèmes de forage C-[127], etc.), en sont un exemple typique.

Au lieu de re-concevoir les lois commande existantes dans ces systèmes, nous proposons d'ajouter une nouvelle boucle "externe" agissant sur des signaux/paramètres du système tels que : les magnitudes des références, forces de contact, etc. La variation de ces signaux/paramètres n'est que provisionnel, car leur fonctionnement nominal est prévu pour un ensemble de paramètres particulier (paramètres nominaux). Le mécanisme proposé, nommé *OSKIL Oscillation KILLer* a comme objectif de promouvoir cette variation jusqu'à l'élimination des oscillations, puis de faire revenir les signaux/paramètres vers leur valeurs nominales.

Évidemment, cette idée ne fonctionne que si le système considéré présente des propriétés particulières (région de stabilité locale, point de bifurcation type selle-node). En C-[128], nous avons étudié une série de systèmes présentant ces caractéristiques, et démontré leur stabilité. Entre autres nous avons considéré une classe de systèmes Hamiltonian, la famille des équations de Léonard, et des systèmes avec frottement.

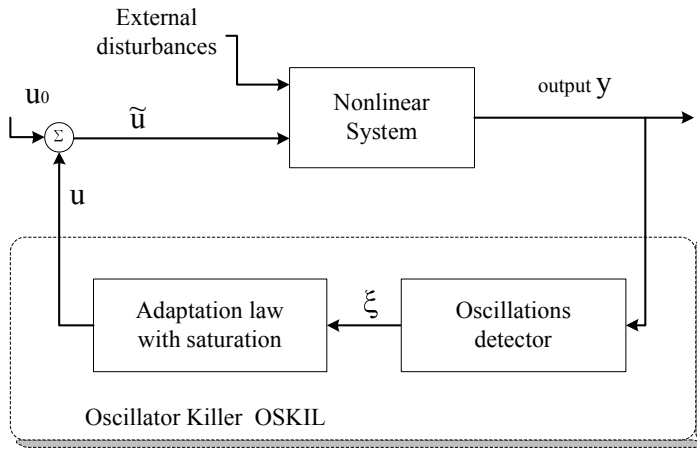


FIGURE 9.2 – Block scheme of the oscillation killer control.

9.6.4 Commande robuste.

Certaines classes de systèmes non linéaires peuvent être modélisés sous la forme d'un système linéaire avec des perturbations polynomiales en l'état. Il est possible d'établir des schémas de commande non linéaire, compensant les termes d'ordre non élevé, sans demander la connaissance exacte de ceux-ci. Cette approche aboutit généralement à la conception de régulateurs à grands gains. Ces derniers étant indésirables à cause de la haute sensibilité au bruit, nous proposons des commandes non linéaires robustes qui présentent une sensibilité linéaire à l'origine C-[33, 34] et qui sont optimales pour un critère précis (commande optimale inverse).

9.6.5 Systèmes hybrides : application aux systèmes de puissance.

Le problème de la stabilisation de la tension d'un réseau électrique suite à un défaut affectant ses paramètres est étudié dans le cadre d'un projet européen (CC Project), et au travers du travail de thèse de H. Attia (co-direction avec A. Mazen). Ce projet concerne les méthodologies de commande pour systèmes hybrides. Le caractère hybride résulte du fait que certaines variables présentent une dynamique contrainte et définie par un automate à état fini. Plus précisément, le travail est concentré sur un Benchmark proposé dans le cadre de ce projet par la société ABB et se fait en collaboration avec le laboratoire VERIMAG (Dans le cadre du projet Computation and Control (CC-EU project IST Research Project No. IST-2001-33520), voir <http://www.dii.unisi.it/hybrid/cc/index.html>).

En C-[115], nous avons proposé une stratégie hybride base sur des fonctions de Lyapunov. Le système est hybride par la nature de ses entrées ; les changement du rapport du transformateur sont décrits par un automate, alors que le reste du système est décrit par un ensemble des equations algebroidifférentiel. La structure de commande proposée, est constituée d'un part d'une boucle continue, et d'une autre d'un bouclage discret qui prendre des valeurs dans un ensemble à valeurs finis. La logique de basculement (switching) associé à la commande proposée est obtenue à partie d'une recherche finit (seulement 12 valeurs) qui essayi de maximiser le taux de décroissance de la fonction de Lyapunov, et d'introduire des priorités lors de l'utilisation des entrées.

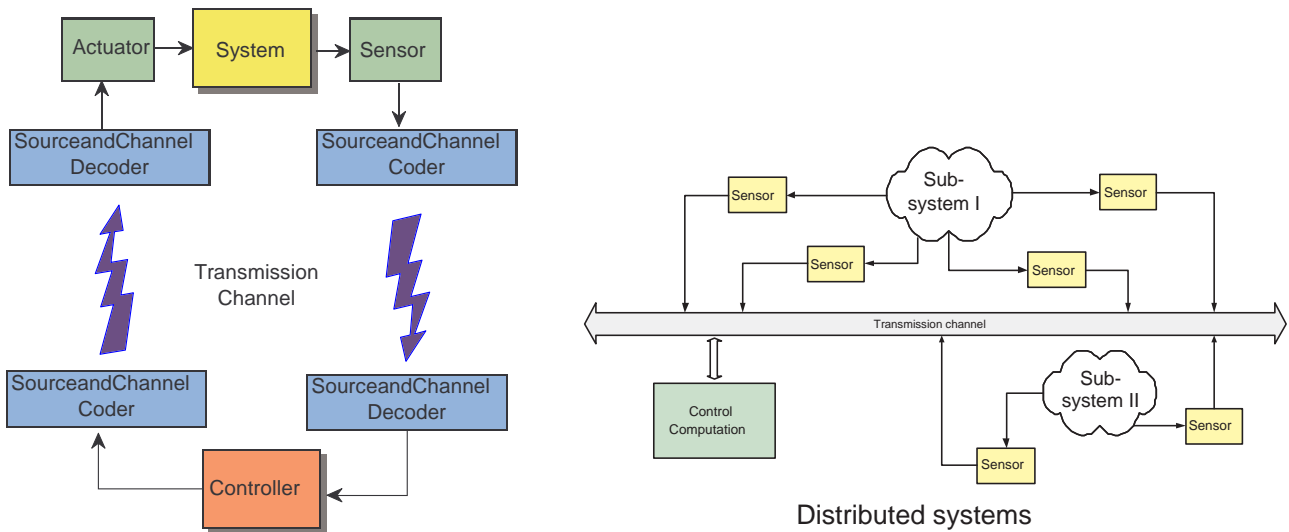


FIGURE 9.3 – Configuration des systèmes contrôlés par réseaux (gauche), et configuration typique des systèmes partageant des ressources dans un cadre du contrôle distribué (droite).

Une autre approche par commande optimale predictive a été aussi propose en C-[120].

9.7 Commande des systèmes par réseaux

Prototypes Nous avons mis en oeuvre deux bancs test concernant un pendule inversé à 2 degrés de liberté commandé par réseaux, ainsi qu’un robot mobile télé-opéré à distance. Ce dernier est en cours d’amélioration avec la définition d’un mini-véhicule électrique complètement automatisé.

Mes contributions personnels sont :

9.7.1 Stabilisation par réseaux avec des retards

Le problème de stabilisation par réseaux avec des retards distribués a lieu lorsque l’on souhaite stabiliser un système instable par des réseaux (voir Figure 9.3). Ce problème est traité dans le cadre de la thèse de E. Wiltrant (en codirection avec D. George). Il s’agit donc de contrôler un système instable sans boucle “locale”. Ceci peut être motivé soit par l’intérêt de préserver une réactivité maximale au niveaux du système, soit simplement par des raisons de réalisation technologique. Techniquement, cela ajoute une difficulté importante car une bonne partie des résultats ont comme hypothèse la stabilité en boucle ouverte du système à commander. Une autre nouveauté est la considération explicite de la variation du retard. En C-[114] nous avons proposé une nouvelle approche basée sur le principe du placement du pôle utilisé dans le cas des retards constants. Par un prédicteur qui utilise *explicitement* la connaissance du modèle interne du retard, on peut trouver les conditions de stabilisation d’un système “retardé” variant dans le temps. En C-[104] nous avons étendu les résultats de C-[114] dans deux directions : tout d’abord on considère que le retard est différent pour chaque voie (*deux* modèles internes sont considérés), puis on traite le cas de stabilisation par retour de sortie retardé. pour ce faire il est nécessaire de mettre en oeuvre un observateur d’état.

En [133], nous considérons le retard de transmission comme un retard composé par une partie dominante déterministe, plus une partie stochastique capturant les événements imprévisibles du réseau. Sous ces hypothèses, nous proposons un algorithme basé sur la méthode du gradient stochastique pour ajuster le gain d'état.

9.7.2 Tele-operation

Le domaine de la télé opération en particulier a été beaucoup étudié vers la fin des années 80. Il connaît un regain d'intérêt aujourd'hui dans ce cadre des NSC. En effet les problèmes de stabilité liés à la présence de retard de communication n'avaient pas été traités complètement, les outils disponibles n'étant pas encore développés. Or ces retards peuvent être variables et/ou inconnus, entraînant parfois une instabilité ou une large dégradation des performances en boucle fermée. Dans le cas de systèmes commandés par réseaux (par ex télé-opération), ces délais augmentent à cause du transfert d'informations via le réseau, dont les caractéristiques de transfert peuvent être non déterministes. L'apport de nombreuses contributions dans l'étude des systèmes à retards (depuis le milieu des années 90) a permis d'attaquer le problème de la télé-opération avec des objectifs pertinents en terme de stabilité et de performance. Certains résultats récents montrent que ce domaine est en plein essor. Le verrou scientifique majeur est ici de minimiser le retard et son influence dans la télé-opération bilatérale (avec retour de force et retour visuel).

Des résultats ont été obtenus dans l'analyse de la stabilité du problème de télé-opération et dans le développement d'une nouvelle approche de commande, de type prédictif C-[119], R-[?]. Ces travaux ont été développés en collaboration avec O. Seneme, dans le cadre du post-doc de Mme Pan Y-J financé par le CNRS.

Nous désirons aussi proposer un schéma intégré de télé-opération avec retour visuel et retour d'effort. L'application considérée est celle, déjà existante dans le projet NECS, de la conduite à distance d'un robot mobile Pekee. Ainsi, dans ce cadre de télé-opération d'un véhicule, l'opérateur dispose d'un écran de contrôle (indispensable pour la conduite). L'objectif est dans ce projet d'optimiser le retour visuel afin de minimiser le retard dû à la transmission d'informations, tout en garantissant au contrôleur de la télé-opération bilatérale la disponibilité des ressources du réseau (bande passante).

9.7.3 Commande du pendule inverse à distance (réseau TCP/IP).

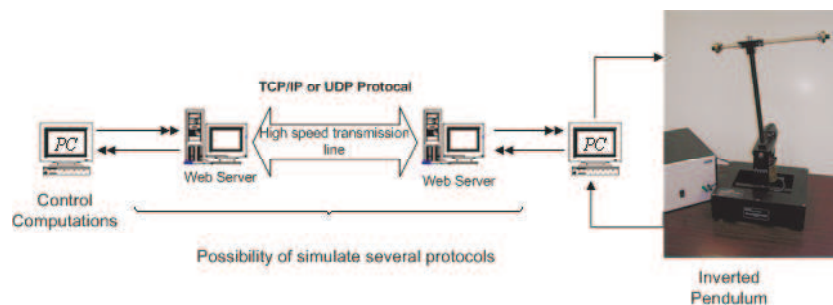


FIGURE 9.4 – Prototype construit pour valider les lois de commande par réseaux.

Nous avons appliqué la loi de commande par placement de pôles développée pour la stabilisation de systèmes contrôlés par réseau au cas du pendule inversé. Un banc d'essai expérimental permettant de commander le pendule au travers d'un réseau TCP/IP a été mis en place afin de valider les lois de commande décrites ci-dessus et permettre une comparaison avec d'autres lois existantes C-[112]. Un video montrant ces expériences est accessible au <http://www-lag.ensieg.inpg.fr/witrant/publis.php>.

9.7.4 Modulation différentielle pour les systèmes embarqués contrôlés à travers des réseaux.

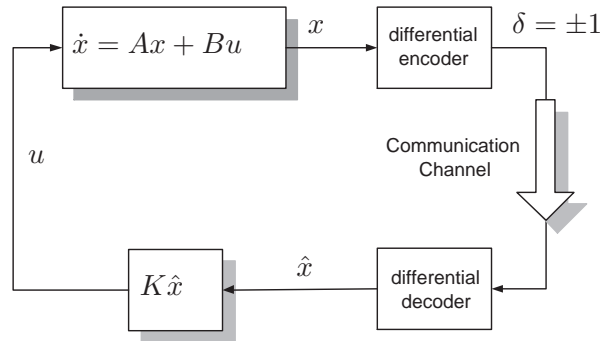


FIGURE 9.5 – Système contrôlé à distance avec modulation différentiel.

A fin d'améliorer le taux de compression, la présence du quantificateurs est essentielle. Nous étudions l'impact dans la boucle fermée des quantificateurs différentiels (un bit uniquement) type modulation Delta. Bien que leur caractéristiques en boucle ouverte sont bien connues, leur utilisation en boucle fermée introduit une auto-corrélation supplémentaire, et affecte la qualité de la régulation du système commandé, dépendant de la commande considérée. Ce travaux ont pour objectif d'étudier la conception conjointe (co-design) des modulateurs différentiels et des lois de commande pour des systèmes dont la mesure et le calcul de la commande sont réalisés de façon distante. Les données sont donc transmises par un canal avec un taux de transmission (capacité) limité. Des exemples de tels systèmes sont : les systèmes embarqués, les systèmes télé-opérés, les grand systèmes avec capteurs distribués, des systèmes partageant des réseaux de communications, etc.

Nous étudions tout particulièrement, une approche dite instantanée, où les mesures sont envoyées avec des paquets courts (sans information statistique pertinente), par exemple des systèmes de codage type modulation delta. Dans C-[131] avons étudié le problème de stabilisation des systèmes linéaires bouclés par une voie de transmission utilisant un codage différentiel, voir Figure 9.5.

Nous avons proposé deux nouvelles modifications de l'algorithme de modulation Delta (voir Figure 9.6) : d'une part nous avons traite le cas de stabilisation par retour d'état, où chaque état est codé par un bit seulement. L'autre cas montré à droite de la Figure, traite le problème de stabilisation par retour d'état, où un bit est utilisé par sortie. Il est important de noter que ces nouveaux algorithmes de codification utilisent explicitement les information de la loi de contrôle par le biais de la matrice A_c ; il s'agit donc bien du co-design des lois de codification. Ce travail C-[131], développé pendant mon séjour de longue durée à Séville, montre la stabilité de ces schémas en boucle fermée, et met en lien

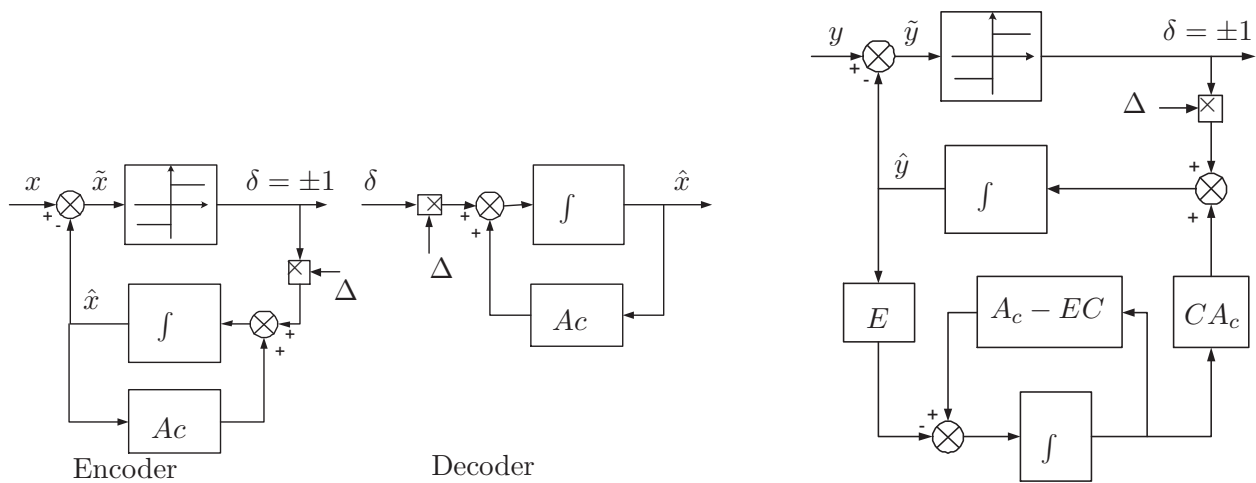


FIGURE 9.6 – Nouveaux schemas de codage : stabilisation par retour d'état (gauche), et stabilisation par retour de sortie (droite). (A, B, C) sont les matrices du système linéaire, $A_c = A - BK$, et la matrice en boucle fermée, et K et E sont les matrices correspondant au contrôle et à l'observateur, respectivement.

explicitement la dépendance des gain de codage Δ , le taux de transmission maximale, et le domaine d'attraction et la précision obtenue.

Les résultats C-[131] ont montré que le domaine de stabilité de l'algorithme est limitée par la position du pôle instable le plus grand du système. Tout de même cette limite peut être élargie en augmentant la fréquence d'échantillonnage. Mais l'augmentation de la fréquence d'échantillonnage est par contre limité par le taux de transmission maximal possible du canal de transmission.

En [140] nous avons étendu les résultats C-[131] avec gain de codage fixe, au cas de adaptation variable. La loi d'adaptation proposé (pour Δ) est construite exclusivement avec l'information envoyé. L'étude montre aussi les améliorations obtenues en terme de stabilité par rapport au cas de gain fixe.

Par ailleurs, on sait que une haute compression de données ne peut être attendue qu'en utilisant un codage entropique. Le codage entropique introduit de la redondance et assigne aux événements une certaine probabilité de distribution. Ceci permet de réduire la longueur du code et ainsi la quantité de données à transmettre par le canal de transmission. L'échantillonnage non uniforme en combinaison avec la modulation delta (Δ -M) vise la possibilité de stratégies efficaces pour ce type de codage. Dans le Master de K. Cristanto (2006), nous avons exploré cette possibilité. Ces travaux continueront l'an prochain dans le cadre de la thèse de J. Jaglin qui commenceront en Sept. 2006.

Chapitre 10

Rayonnement scientifique

10.1 Collaborations internationales

- Lund Institute of Technology, Suède, avec : Prof. K.J Aström, L. Nielsen, P. Hagander, H. Olsen, M. Petersson, M. Gäfvert.
Publications conjointes : [1, 3, 4, 16, 1, 9, 10, 18, 22, 33, 44].
- DIS Naples avec : Dr. B. Siciliano et L. Villani. Publications conjointes : [28, 53, 55].
- MIT, U.S.A. Non linear control Laboratory avec : J.J.E. Slotine. Publications conjointes : [8, 4].
- MIT, U.S.A. avec : Prof. P. Dupont. Publications conjointes : [14, 18].
- University of Wisconsin avec : Prof. B. Armstrong. Publications conjointes : [14, 18].
- Australian National University avec : Prof. D. Williamson. Publications conjointes : [33, 34, 46].
- Twente, Hollande : Prof. H. Nijmeijer, Prof. Van der Shaft, Dr. H. Berghuis, Dr. W. Oelen.
Publications conjointes : [42, 43, 47, 21].
- Cicese, Ensenada, Mexique. Prof. R. Kelly. Publications conjointes : C-[64]
- Berkeley, USA. Prof. R. Horowitz. Publications conjointes : O-[10], J-[31], C-[80, 87, 89, 90]
- Georgia Tech. Atlanta, USA. Prof. T. Tsiotras. Publications conjointes : O-[10],J-[31, 41] C-[78, 82, 102]
- Sevilla, Espagne. Prof. F.R. Rubio , C. Vivas. J. Aracil, . Fornes, F. Goldillo, F. Salas, F. Gomez-Estern. Publications conjointes : C-[97], C-[128], C-[127], C-[131], C-[140].
- University of Michigan, USA. Prof. J. Grizzle. Publications conjointes : J-[39, 40].
- Odense University (Maersk Institute), Danemark. A. Shiriaev. Publications conjointes : C-[103], C-[117], C-[116], C-[105], R-[118], J-[46].

10.2 Séjours à l'étranger

(un mois ou plus)

1. 1989-1992 un mois par an à Lund, Suede. Financé par : CNRS relations internationales.
2. Juin 1990 CINVESTAV Mexico. Financé par : CNRS relations internationales.
3. Mai 1993 Tweente, Hollande (Prof. H. Nijmeijer) Financé par : Dutch network on systems and

control.

4. Juin 1993 Montréal, Canada Financé par : Université de Montréal.
5. Oct. 1993 Israël (Prof. O. Gutman) Financé par : MRE relations internationales.
6. Août-Sept. 1994 Australie (Prof. D. Williamson) Financé par : Australian National University.
7. Juin 1996 Ensenada, Mexique (Prof. R. Kelly) Financé par : Projet PIC de collaboration entre le Mexique et la France.
8. Nov. 1997 Atlanta, USA (Prof. T. Tsiotras) Financé par : Projet CNRS/NSF, No. INT-9726621/INT-9996096.
9. Nov. 1998 Atlanta, USA (Prof. T. Tsiotras) Financé par : Projet CNRS/NSF, No. INT-9726621/INT-9996096.
10. Nov. 1999 Atlanta, USA (Prof. T. Tsiotras) Financé par : Projet CNRS/NSF, No. INT-9726621/INT-9996096.
11. Mars 2000 Seville, Espagne Co-Financé par l'universite de Seville.
12. Juillet 2000 Michigan university, Michigan USA Financé par : projet NSF. En collaboration avec Ford scientific research center.
13. Juillet 2001 Seville, Espagne Financé par : projet NACO2.
14. Septembre 2004 à June 2005 Seville, Espagne (Prof. F. Rubio) Co-Financé par le MRE relations internationales, programme PICASO.

10.3 Comités de programme, comités éditoriaux

Comités éditoriaux des journaux.

1. Éditeur Associé de la revue internationale : *IEEE Transaction on Automatic Control* (1993-1997).
2. Éditeur Associé de la revue internationale : *AUTOMATICA*, (1999-2002).

Comités de programme.

1. Membre du Comité du programme international "IFAC Symposium on Robot Control'94", Sept. 19-21, CAPRI, Italie,
2. Membre du Comité du programme international, "IFAC Symposium on Robot Control'97", Nantes, France, 1997.
3. Membre du comité pour le : "Young Authors' Price (YAP)", du 1996 IFAC Word Congress.
4. Membre du comité des affaires internationales, "IEEE-Control System Society", (1994-1996).
5. Membre du comité international sur la robotique mobile, "IEEE-Robotics and Automation System Society".
6. Comité de sélection des articles (CEB Conference Editorial board) pour : "American Control Conference (ACC)", et "Control and Decision Conference (CDC)", (1993-1997)

7. Comité du programme international, “Control and Decision Conference (CDC)”, (1997).
8. Comité du programme international, “3th International Workshop on Robot motion and Control” (RoMoCo’02). Nov. 2002, Bukowy Dworek, Poland
9. Comité du programme international “7th IFAC Symposium on Robot Control 2003”, Sept. 2003, Wroclaw, Pologne.
10. Workshop Tutorial Co-chair, 2004 CCA/ISIC/CACD, Taipei, Taiwan.
11. Comité du programme international AVEC’04, Tweente, Pays bas.
12. Comité du programme international : IFAC’s Mechatronics workshop, 2006.
13. IEEE Multi-conference on Systems and Control ((MSC’07). CCA Vise Chair : invited sessions.

10.4 Jurys de thèse, HDR

1. K. EL Serafi “Contribution à la commande adaptative des robots manipulateurs”, Université de Nantes (ENSM), 22 Mai 1991
2. J.-L. Démange “Commande Adaptative d’un Positionneur en Présence d’un frottement sec”, Université de Nancy I, 15 Janvier 1991.
3. F. Messenger “Sur la stabilisation discontinue des systèmes”, Université Paris XI Orsay, 30 Mars 1992.
4. K. Ait-Abderrahim ”Commande de Robot Mobiles”, L’Ecole des Mines de Paris, 12 Janvier 1993
5. Ye Ning, “Contribution à la préhension robotisée pour la saisie d’objets fragiles et/ou fortement réformables. Modélisation et commande d’un préhenseur electropneumatique instrumenté.” Institut National des Sciences Appliquées de Lyon, 13 Janvier 1993.
6. Eduardo Mendes “Contribution à l’étude de servomoteurs à induction. Etude et mise en ouvre de commandes numériques à flux orienté et adaptatives”, Octobre 1993.
7. Nouri Ahmed “Généralisation du Régime Glissant et de la Commande à Structure Variable Application aux Actionneurs Classiques et à Muscles Artificiels”, INSA de Toulouse, 14, Janvier 1994.
8. El Assoudi Abdellatif “Observateurs non linéaires pour des systèmes mécaniques”, Université Claude Bernard, Lyon I. Fev. 1994.
9. J-A. Hernandez “Sur la synthèse des lois de commande nonlinéaires : application à la robotique et l’electronique”. Laboratoire de Signaux et Systèmes, Nov. 14, 1994.
10. A M. Abderahim, “Commande dynamique des robots redondants dans l’espace opérationnel”, Ecole Central de Nantes, Fev. 1995.
11. S. J. Xu, “Contribution à la Commande Adaptative : application aux robots manipulateurs”, University Henri Poincaré, Nancy I, 29 Sept. 1995.
12. B. Thuilot, “Contribution à la modélisation et à la commande des robots mobiles à roues”, Ecole National Supérieure des Mines de Paris, 5 Déc. 1995.

13. C. François “Contribution à la commande des robots marcheurs”, INRIA Sophia-Antinopis, Fev. 1996.
14. T. Boukhobza “Contribution aux formes d’observabilité pour les observateurs à modes glissants, et étude des commandes par ordres supérieurs”, Université de Paris-Sud centre d’Orsay, Nov. 1997 (rapporteur).
15. N. Manamanni, “Commande et observateurs pour systèmes pneumatiques-méthodologie pour la locomotion à pattes”, Université Pierre et Marie Curie, Fev. 1998 (Jury).
16. S. Ziani-Sherif, “Contribution à la modélisation, l’estimation de paramètres dynamiques et la commande d’un engin sous-marin”, Université de Nantes, Ecole centrale de Nantes, Mai 98 (rapporteur).
17. C. Ganseman, “Contribution on identification and friction compensation of robot manipulators”, Katholieke University of Leuven, Belgique May, 1998.(rapporteur)
18. F. Altpeter, “Friction modeling, Identification and Compensation” These École polytechnique Fédérale de Lausanne, Lausanne EPFL 1999.
19. Hong Quan Nguyen “Robust low level control of robotic excavation”, Université de Sydney, Australie, June 2000,(rapporteur)
20. A. Bochis “Modeling and Control of Hydraulic servo Systems”, Université de Sydney, Australie, Septembre 2001,(rapporteur)
21. J. Elvin Ward “Robust low level control of robotic excavation”, Université de Newcastle, Australie, Nov. 2001,(rapporteur)
22. S. Mammar “Contributions a la commande des véhicules” HDR Dec. 2001, Université de Evry (rapporteur).
23. L. Aguilar “Commande H_∞ pour des systèmes non continus : application aux systèmes mécaniques” Dec. 2002, CICESE Ensenada, Mexique (rapporteur).
24. Zhuping Wang “Nonlinear Control of Flexible Link Robots and Nonholonomic Robotic Systems”, National University of Singapore (rapporteur) Mars 2003.
25. V. Dairou, “Contribution de l’analyse sensorielle à l’optimisation d’un produit complexe”, ENSIA, June 2003.
26. C. Vivas, “Control no linear de robots manipuladores”, Université de Sevilla, Espagne (rapporteur), Sept. 2004.
27. G. Stan, “Global analysis and synthesis of oscillations”, Université de Liege, Belgique (rapporteur), Mars 2005.
28. Thierry Fraichard, “Contribution à la planification de mouvement”, HDR, INRIA-RA, Laboratoire Gravier-CNRS, (rapporteur), Janvier, 2006.

Chapitre 11

Gestion de la recherche

11.1 Direction d'équipes/projets

- Responsable du projet NeCS en cour de formation. Dans le cadre de la formation du TLG (GIPSA =LAG+LIS+LCP) à Grenoble, NeCS deviendra un équipe projet à part entière dans la nouvelle structure du TLG à partir de Janvier 2007 avec 6-7 permanents. A fin de consolider l'équipe, et d'élargir la thématique en incluant des aspects de calcul fortement représenté à l'INRIA-RA (Grenoble), l'équipe sera aussi associé à l'INRIA. L'équipe est aussi en cour d'évaluation pour devenir un projet conjoint CNRS-INRIA possiblement vers la fin de l'année 2006 (le CP du INRIA-RA a approuvée en Fev.06 la première phase de la création du projet).
- Responsable du projet Commande par les Réseaux. Projet CNRS-EPML, depuis Mars 2002. Voir details dans la section 9.7 et dans la page web <http://necs.inrialpes.fr/>
- Responsable de l'équipe "Commande de Robots et des Systèmes Électromagnétiques" (CRSE) au LAG (Grenoble), Janvier 1993-2002.
- Responsable du groupe "Continu" au LAG (Grenoble), 1997-1999.

11.2 Organisation de manifestations

1. Responsable de l'organisation du colloque international "Commande adaptative et non linéaire : application à la robotique", à Grenoble du 21 au 23 novembre 1990. Avec la collaboration des membres du Réseau Européen des laboratoires Commande adaptative et non linéaire : application à la robotique. Les mémoires ont été éditées par Springer-Verlag O-[2].
2. Responsable scientifique de l'École Européenne D'Été D'Automatique De Grenoble : "Théorie de la Commande des Robots", Session 6 : 7-11 Septembre 1992. (10-conférenciers, 120-participants). Les mémoires constituent un document de 550 pages publié sous la forme d'un livre par Springer-Verlag, Communication and Control Series O-[3].
3. Co-Responsable (C. Canudas-de-Wit, R. Lozano et B. Brogliato) de l'organisation du colloque international "Commande adaptative et non linéaire", à Grenoble du 16 au 17 Septembre 1997.

Avec la collaboration des membres du Réseau Européen CHM Projet No. ERB 4050 PL 930 138 et du Groupement de Recherche en Automatique CNRS.

4. Co-responsable scientifique de l'école d'été d'Automatique de Grenoble (C. Canudas-de-wit, et D. Roye) : "Commande de moteurs à induction", Session 176 : 8-12 Septembre 1997. (12-conférenciers, 80-participants). Les mémoires, ont été édités par Hèrmes en deux tomes O-[7, 8].
5. Organisation d'un workshop sur le thème de "Control de systèmes avec frottement" (en collaboration avec Åström et M. Sorin), à la conference *IEEE Conference on Decision and Control CDC'98, Dec. Florida, USA*, et *IEEE Conference on Control Applications CCA'99, August 22-27, Hawaii, USA*.. Les transparences sont disponibles dans la page web (www.lag.ensieg.inpg.fr/canudas/)
6. Président (general chairman) de la conference internationale "IFAC-Motion Control", Sept. 1998, Grenoble.
7. Co-responsable scientifique de l'école d'été d'Automatique de Grenoble (C. Canudas-de-wit, et O. Sename) : "Commande de véhicules", 8-12 Septembre 2002. (16-conférenciers, avec la participation de 6 industriels, et de 135 inscrits).
8. Co-organisation (avec J. Grizzle) d'un workshop sur le thème de "Control de robots bipèdes", à la conference *IEEE Conference on Decision and Control CDC'03, Mahui, Hawaii, USA*, Dec. 2003

11.3 Responsabilités nationales et internationales

1. Responsable du projet pilote sur "la Compensation Adaptative des Frottements" du groupement de recherche Automatique, 1985-90.
2. Responsable du Projet CAPRI : Commande Avancée de préhenseurs intelligents. Projet INPG en collaboration avec le LIFIA et l'HMG. 1989-93.
3. Responsable d'un groupe de travail européen sous la forme d'un Réseau Européen de Laboratoires (financé par le MNRT, 1989-1991). Laboratoires participants : LAG (Grenoble), INRIA (Sophia Antipolis), LTH (Lund, Suède), LADAS (Louvain-la-Neuve, Belgique), ROMA1 (Italie), Tor-Vergata (Italie), sur le thème : "Commande Adaptative non linéaire : Application robotique".
4. Co-responsable et initiateur (avec B. Espiau) du projet PRG-GdR "Commande des robots à pattes", Jan 1997-1998.
5. Co-responsable et initiateur (avec B. Defornel et J.P. Barbot) du projet PRG-GdR "Commande des machines asynchrones : benchmarks". à partir de Jan. 1998 -Jan 2002.
6. Projet de Recherche sur la commande des moteurs à induction (LAG-LAN-CNRS) : "construction d'une plate-forme d'essais".
7. Participant du pôle fédérateur "Robotique sous-marine" formant partie d'un des pôle prioritaires du CNRS dans le cadre de l'axe : Machines Intelligentes.

8. Participation au Projet BIP (Robot Bipède anthropomorphe) en collaboration avec l'INRIA-Rhône Alpes, et Le Laboratoire de Métallurgie Physique de l'Université de Poitiers.
9. Participation au projet ROBEA sur la commande des robot marcheurs (suite du projet initié avec B. Espiau).
10. Responsable au LAG du projet européen (Capital Humaine et Mobilité) : NACO1 Non linear and Adaptive control : towards a Design methodology for physical systems (Resp. R. Ortega), 1996-1999.
11. Responsable au LAG du Projet Européen NACO2 (Research Training Networks) "Non-linear and adaptive control : tools and algorithms for the user" (Resp. du projet. A. Astolfi) 1999-2003.
12. Responsable au laboratoire du Projet Européen CC-projet (Computation and Control) IST Research Project No. IST-2001-33520 (Resp. O. Maler)2002-2005.
13. Responsable au LAG du Projet NECS (Networked Controlled Systems) sur la commande des systèmes par les reseaux. Laboratoires impliqués ; LAG, LIS, INRIA . Projet soutenu par le CNRS type PEML, et plus récemment par la federation ELESA.

Chapitre 12

Formation par la recherche et encadrement

12.1 Direction de thèses de doctorat

1. N. Fixot (20 Nov. 1990) Commande d'un robot Manipulateur par retour d'état estimé.
2. A. Aubin (6 Nov. 1991) Modélisation, Identification et Commande d'un robot de maintenance à 4 degrés de liberté Convention BDIE entre FRAMATOME-INDUSTRIES et CRNS-LAG
3. S. Selem (4 Juillet, 1994) Commande de Robot Manipulateurs équipés de moteurs à induction
4. P. Orhant (7 Déc. 1994) Commande des mains articulée à plusieurs doigts. Co-direction avec B. Brogliato.
5. H. Khennouf (17 Nov. 1995) Stabilisation des systèmes mécaniques avec des contraintes non holonomes.
6. A. Ndoudi-Likoho (13 Mai 1997) Commande des systèmes mécaniques en cascade.
7. P. Lischinsky (12 Mai 1997) Modélisation et compensation de frottement pour des systèmes mécaniques ; application à un robot hydraulique. En collaboration avec EDF-DER
8. J. Ramirez (Juillet 98) Commande des systèmes mécaniques actionnés par des moteurs à induction.
9. L. Rousell (1998) Commande des robots Bipèdes.
10. E. Olguin (1999) Commande en force et position des robots avec base mobile : application au robot sous-marin VORTEX équipé d'un bras manipulateur. En collaboration avec IFREMER. Co-direction avec M. Perrier
11. X. Clayes (1997-2001) Commande des poids lourds en convoi. En collaboration avec RENAULT (Co-direction avec H. Bechart).
12. A. Youssef (2003) Contribution a la commande des moteurs synchrones et asynchrones (commande sans capteur et limitation de courant de bus).
13. C. Urrea (2003) Commande d'un robot marcheur (Thèse en co-tutelle. Co-direction avec le Prof. Ingeborg Mahla Alvarez de l'Université de Santiago du Chili).

14. J. Matieux (2004) Commande des systèmes sous-actionées avec des contacts unilatérales (co-direction B. Brogliato INRIA-RA).
15. J.-J. Martinez (2005) Commande longitudinale multi-capteur des distances inter-véhicule (cadre du projet Predit ACROS2003).
16. Attia, Ahmed (Sept. 2002-2005) Stabilisation des systèmes hybrides : application au problème de stabilisation de la tension d'un réseau électrique (cadre du projet européen Computation and Control).
17. Witrant, Emmanuel (Sept. 2002-2005) Stabilisation des systèmes par réseaux (cadre du projet NECS, en co-direction avec D. George).
18. Julian Coudon (Sept 2003-2006), Conduite par fil. Thèse CIFRE avec Renault, en co-direction avec X. Claeys (Renault DR)
19. Pietro Dolcini (Sept 2003-2006), Commande d'un embrayage active et semi-active, en co-direction avec H. Bechart (Renault, Lardy)
20. Denis Jacquet (Sept 2003-2006), Commande optimale des systèmes distribués ; application à la commande des flux de voitures, en co-direction avec D. Konic.
21. Miguel Angel Cochero (debut Sept 2004), Compensation des vibrations dans des structures de forage pétrolier. en co-direction avec Prof. F. Rubio (Université de Sevilla).

12.2 Direction de Thèses C.N.A.M.

1. P. Drevet (1989) Création d'un environnement informatique permettant la commande en temps réel à partir d'une machine BULL SP7 (Projet COBRA).
2. J.P. Villard (1990) Expérimentation d'une nouvelle loi de commande robuste pour la compensation adaptative des frottements appliquée à la robotique.

12.3 Encadrement de DEA

1. Olivier Lys (1987) Commande Robuste de Robot avec transmissions flexibles.
2. S. Oman (1988) Compensation des flexibilités dans les robot manipulateurs
3. C. Girard (1989) PID Adaptative Codirection : M. M'Saad
4. Y. Le Campion (1989) Commande Adaptative des Robots Manipulateurs Codirection : A. Aubin
5. M. Piveau (1990) Commande Compliante d'un Bras Manipulateur à 6 degrés de liberté sans estimation des paramètres co-direction : C. Laugier.
6. R. Moctezuma (1990) Commande en force et position des robots Manipulateurs Codirection : C. Laugier
7. H. Quick (1991) Commande Adaptative d'Impédance de Robots avec Contraintes.
8. F. Wang (1991) Poursuite de trajectoire pour un robot mobile sous contrainte nonholonomique et cinématique.

9. S. Allemand (1992) Expérimentation d'une loi adaptative d'impédance pour le robot CAPRI.
10. P. Lischinsky (1993) Compensation de frottement avec modèle dynamique.
11. V. Thevenet (1994) Projet Vortex (Robotique sous marine avec IFREMER).
12. J. Ramirez (1994) Etude des Aspects d'Implantation des Lois de commande nonlinéaires pour la poursuite de couple d'une machine asynchrone.
13. L. Roussel (1995) Commande des robots Bipèdes à énergie minimale.
14. E. Olguin (95) Commande en force et position des robots avec base mobile : application au robot sous-marin VORTEX équipé d'un bras manipulateur (collaboration IFREMER).
15. C. Flaven (96/97) Commande type "Follow the leader" pour un manipulateur d'architecture série possédant un grand nombre de degrés de liberté. (collaboration avec le CEA).
16. P. Bergon (96/97) Commande d'un autobus urbain (collaboration avec Renault RVI-Lyon).
17. H. Shusi (97/98) Commande des moteurs à ultrasons.
18. A. Youssef (98/99) Modélisation et commande d'un ascenseur.
19. J. Perez (98/99) Commande d'un robot marcheur (co-direction avec A. Loria).
20. P. Billot (1999/2000) Commande d'une direction sans fil.
21. E. Wiltram (2001-2002) Commande multi-critère pour des systèmes type X-by-wire
22. M. Attia (2001-2002) Compensation d'excentricité dans un lecteur DVD à tête de lecture optique (en collaboration avec ST-Microelectronics).
23. F. Beruard (2002-2003) Commande impulsionnelle d'un robot marcheur.
24. G. Torres (2002-2003) Commande d'une direction par fil. En collaboration avec Renault DR
25. P. Dolcini (2002-2003) Commande passive d'un système d'embrayage. En collaboration avec Renault Centre d'Etudes Mécaniques à Lardy.
26. K. Crisanto Vega (05-06). "Codage à détection de niveaux pour les systèmes commandés par réseaux.
27. J. Jaglin (05-06), "Commande des flux des voitures". (en co-direction avec D. Jacquet).

12.4 Encadrements de stages et postdocs

Postdocs

1. D. Fragopoulos (1996) "Combination of invariant sets as a tool for stabilization", Cadre du projet européen NACO1. 12 mois.
2. J.C. Avila Camacho (2002) Développement d'un modèle bicyclette pour les voitures et prediction du temps de sortie de route. Cadre du projet ARCOS. 12 mois.
3. F. Grogard (2001-2002) Stabilisation orbitale des systèmes nonlinéaires (Université Catholique de Louvain la neuve, Belgique). Post doc dans le cadre du NACO2, 14 mois.
4. Yajun, Pan (2003-2004) Télé-opération des véhicules par réseaux (Singapore University) (CNRS-Post-doc, dans le cadre du projet NECS). Co-direction avec O. Sename. 12 mois.

Stages

1. P. Noël (1988) Expérimentation des nouveaux modèles de frottement. Projet en collaboration avec RENAULT- AUTOMATION (étudiant Belge). Stage 6 mois.
2. V. Seront (1989) Compensation adaptative robuste des frottements (étudiant Belge). Stage 6 mois
3. P. Martin (1989) Contribution au projet COBRA (étudiant Belge). Stage 6 mois.
4. T. Gaub (1989) Contribution au projet COBRA (étudiant Allemand). Stage 6 mois.
5. R. Roskam (1990) Commande de Robot Mobile (étudiant Allemand). Stage 6 mois.
6. S. Hauptmann (1990) Expérimentation comparative entre PID industriel et des lois non linéaires sur un axe de robot S-58 Collaboration RENAULT-AUTOMATION. (étudiant Allemand) . Stage 6 mois.
7. O. Sordalen (1991-92) Commande nonlinéaire pour des systèmes mécaniques avec des contraintes non-holonomes. (étudiant Norvégien). Stage 18 mois.
8. J. Miyazawa (1991-1992) Etude comparative des lois nonlinéaires pour des robot manipulateurs. (étudiant Japonais) Stage 24 mois.
9. A. Goswami (1993-1994) Post-Doc. Commande d'un robot marcheur. En collaboration avec B. Espiau (INRIA-Grenoble). (étudiant USAméricain) Postoc 1 an.
10. M. Peterson (1993) Commande d'un moteur d'induction (étudiant suédois). Stage 6 mois.
11. R. Bachmayer (1993) Commande robuste d'un robot sous-marin. En collaboration avec IFREMER (étudiant Allemand). Stage 6 mois.
12. J. Kahrweg (1994-5) Evaluation expérimentale des lois nonlineaires pour des manipulateurs rigides. (étudiant Allemand). Stage 12 mois.
13. J. Wurster (1994-5) Méthodologie pour l'identification et compensation des frottements. (étudiant Allemand). Stage 6 mois.
14. M. Gäfvert (1996) Comparaisons entre deux modèles de frottement dynamique. (étudiant suédois)). Stage 9 mois.
15. Petra Posselius, and Holger Olofsson (1998) Étude expérimentale d'une compensation adaptative d'excentricité (étudiant suédois). Stage 6 mois.
16. W. Chatila (2000) Stabilisation orbitale du pendubot. (étudiant suédois) Stage 6 mois.
17. E. Garcia (2001) modélisation des systèmes avec frottement hélicoïdale (étudiant espagnol). Stage 1 mois.
18. C. Villar (2001) Conception d'un régulateurs à gains pré-programmables (gains schedules) pour des systèmes avec frottement (étudiant espagnol). Stage 1 mois.
19. J. Rozenberg (2002) Identification de l'impédance d'un conducteur (étudiant hollandais). Stage de 6 mois.
20. Ricardo Natale (2003) Stabilisation des pendules inversé par réseaux. (Doctorant de Naples, Italie.). Cadre du projet NECS. Stage de 6 mois. Bourse Marie-Curie.

21. Morten Lind Petersen (2003). Estimateurs pour les forces de contact rue/sol. (Doctorant du Maersk Institute, Danemark), 4 mois dans le cadre du projet Européen NACO2.
22. Jacob Svendenius (2003). Modélisation des forces de contact roue/sol. (Doctorant du Lund Institute of Technology, Suede). 1 mois dans le cadre du projet Européen NACO2.
23. Edison Franco (2003). Stabilisation des systèmes avec singularités d'observabilité : application à un moteur asynchrone. (doctorant à l'université de Colombie) Stage de 6 mois.
24. Gabriel Beluchi (2004). Control des bipèdes (doctorant à l'université de Milano) Stage de 3 mois, dans le cadre du projet NACO2.
25. Guy Stain (2004). Stabilisation orbitale par Passivité (doctorat à l'université de Liege, Belgique) Stage de 2 mois.
26. Christophe Germay (2005). Modélisation des frottements dans des structures de forage pétrolier (doctorat à l'université de Liege, Belgique) Stage de 3 mois. à Seville pendant mon séjour.

Chapitre 13

Activités d'enseignement et vulgarisation

13.1 Enseignement supérieur

- 1988-1992 : cours de “Robotique”, 3ème année d'École d'Ingénieur ENSIEG (20 hrs/an).
- 1988-1998 : “Commande des robots” au niveau DEA-Automatique ENSIEG.
- 1997-2000 : “Stabilité des systèmes non linéaires” au niveau DEA-Automatique ENSIEG (20 hrs/an).
- 1998-2002 : “Modélisation, Identification et Commande des systèmes avec frottement” Séminaire DEA (Université de Versailles), Laboratoire de Robotique de Paris (10 hrs/an).
- 1999-2002 : “Commande des Systèmes mécaniques : robots mobiles, automobiles” Séminaire DEA, École des mines de Paris (6 hrs/an).
- Depuis 2000 : “Commande nonlinéaire appliquée”. Troisième année de l'ENSIEG, option CESR (20 hrs/an). Élaboration des travaux pratiques et travaux dirigés de ce cours.
- 2004 : “Modélisation, Identification et Commande des systèmes avec frottement” Cours dans le cadre de la formation doctoral de l'INPG (15 hrs).
- 2005 : “Commande nonlinéaire appliquée”. Cours dans le cadre de la formation doctoral du département d'automatique de l'Université de Sevilla (20 hrs/an). Co-gestion du projet de construction et commande d'une patinette auto-stabilisant.

13.2 Vulgarisation : écoles d'été.

- École Européenne d'Été d'Automatique de Grenoble : “Théorie de la Commande des Robots”, Session 6 : 7-11 Septembre 1992, 115 participants (Organisateur : C. Canudas-de-Wit).
- École d'été d'Automatique de Grenoble : “Modélisation et Commande des machines asynchrones”, Septembre 1999. 60 participants (Organisateurs : C. Canudas-de-Wit et Daniel Roi)
- École d'été d'Automatique de Grenoble (Organisateurs : C. Canudas-de-wit, et O. Sename) : “Commande de véhicules”, 135 participants, 8-12 Septembre 2002.

13.3 Vulgarisation : séminaires à l'étranger.

Présentation des mes travaux dans les laboratoires à l'étranger : MIT (USA), Lund (Suède), McGill (Canada), Berkeley, Atlanta, Michigan (USA), Tor Vergata-Rome et Naples (Italie), Göteborg (Suède), Tampere (Finlande), Linköping (Suède), Trondheim (Norway), Cinvestav (Mexique), Twente (Hollande), Lausanne et Zurich (Suisse), Louvain la Neuve et Louvain (Belgique), Camberra (Australie), DRL-Munche (Allemagne), Cicese, ITESM (Mexique), Seville, Valence (Espagne), Liege (Belgique), San Diego (USA), IMP (Mexique).

Présentation des séminaires/mini-courses

1. International Workshop "Control de systèmes avec frottement" (en collaboration avec Åströet M. Sorin), *IEEE Conference on Decision and Control CDC'98, Dec. Florida, USA*
2. International Workshop "Modélisation et Commande des systèmes avec frottement", IEEE Conference on Control Applications CCA'99, August 22-27, Hawaii, USA.
3. Séminaire (15 hrs) "Modélisation et Commande des systèmes avec frottement",
 - (15 hrs) Université de Sevilla, Mars, 2000.
 - (10 hrs) 'Modélisation et Commande des systèmes avec frottement', École des mines de Paris, 2000
 - (10 hrs), Lille, 2002,
 - (10 hrs), Institute Mexican du Pétrole, Oct. 2003,
 - (20 hrs), Loret del Mar, Cours d'été d'automatique, Espagne, June 2005.
 - (20 hrs), Madrid, Université Universidad Carlos III de Madrid Departamento de Ingenieria Mecánica, Oct. 2005.
 - (20 hrs), Universidad Politécnica de Valencia, Mai 2006.
 - (20 hrs), Université de Sevilla, Avril, 2006.

Chapitre 14

Valorisation de la recherche

14.1 Contrats et collaboration industrielles

Contrats de Recherche dont j'ai eu la responsabilité :

1. 1988 : Renault Automation, "Compensation adaptative des frottements, et compensation des flexibilités" (50 KF).
2. 1988-1991 : FRAMATOME-Industries, modélisation, identification et commande de robots manipulateurs (contrat de recherche, 300 KF).
3. 1989 : ALEPH-Technologie, Commande de robots mobiles (20 KF)
4. 1992-1993 : CEA Sur la robotique mobile : conception d'une loi de commande et planification des trajectoires pour un chariot à plusieurs modules (contrat de recherche, 150 KF).
5. 1993 : IFREMER Sur la commande d'un robot sous-marin (contrat de recherche, 25 KF (1993) + 35 KF(1994) + 25 KF(1995) + 100 KF (1996)), TOTAL : (185 KF).
6. 1993-96 : EDF-DER. Sur la commande d'un robot hydraulique (contrat de recherche, 330 KF).
7. 1996/97 : CEA, Sur la commande type "Follow the leader" pour un manipulateur d'architecture série possédant un grand nombre de degrés de liberté. (contrat de recherche, 80 KF).
8. 1996/97 Renault RVI, Sur la commande d'un autobus urbain . (80 KF).
9. 1994-1996 : Projet Européen (Capital Humaine et Mobilité), European Robotics Network (ERNET) (250 KF).
10. 1994-1996 : Projet Européen (Capital Humaine et Mobilité) : NACO1 Non linear and Adaptive control : towards a Design methodology for physical systems (200 KF).
11. 1994-1996 : Projet Européen (INTAS) collaboration avec les pays de l'Est (35 KF).
12. 1988-1999 : IFREMER "Contrôle de tâches cartésiennes pour un système redondant téléopéré ROV/manipulateur " (contrat de recherche, 50 KF). En coll. avec A. Loria.
13. 1999 ILL "Études des algorithmes de commandes robustes pour des systèmes multi-axes" (contrat de recherche, 150 KF)
14. 1998-2002 : Renault RVI, " Commande latérale et longitudinale d'un poids lourd en convoi" (contrat de recherche, 390 KF)

15. 1999-2002 : Schneider Electric Industries SA : “Étude sur de nouveaux algorithmes de commande de moteurs asynchrones de puissance fractionnaire (1 200 KF).
16. 1999-2003 : Projet Européen NACO2 (Research Training Networks) “Non-linear and adaptive control : tools and algorithms for the user ” (650 KF).
17. 2002-2005 : Participation au projet ARCOS 2003 (approche globale du système véhicule-conducteur- infrastructure, en vue de contribuer à l’amélioration de la sécurité routière.) sur la “Modélisation du véhicule dans la situation de trafic, régulateur longitudinal multi-capteurs et multi-modes, et calcul de trajectoires”. (projet de recherche 1 030 KF)
18. 2002-2005 : Participation au projet Européen CC-projet (Computation and Control) IST Research Project No. IST-2001-33520 (400 KF).
19. 2003 : Renault DR, “Commande d’une direction par fil” (120 KF).
20. 2003-2006 : Renault DR (Bourse CIFRE), 50 KE
21. 2003-2006 : Renault Centre Technique de Lardy (Bourse CIFRE), 60 KE

TOTAL de contrats depuis 1988 : **974 000 Euros.**

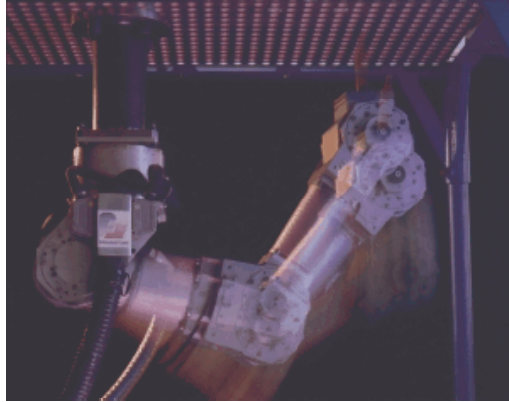
14.2 Brevets

1. Canudas-de-Wit C., Ramirez J., Georges D. “Dispositif Pour Minimiser Les Pertes Electriques Des Machines Asynchrones.” Brevet No. 98/06554, 20 mai 1998. (Transféré à Schneider en 2000).
2. Claeys X. (LAG), Canudas-de-Wit C.(LAG), Bechart H. (Renault) “Systeme de pilotage de l’actionneur de direction d’un véhicule automobile”. N/Ref 015172. Demande de brevet français No. 99-08106.
3. Nguyen-Phuoc V.T. (Schneider), Youssef A. (Lag), Canudas-de-Wit C.(Lag). “Limitation Instantanée Du Courant Dans Les Variateurs De Vitesse Des Machines Électriques”. Déposé dans ”US Patent”, AP01-244 en décembre 2000.
4. Julien COUDON (LAG/Renault), Xavier Claeys (Renault), Carlos Canudas-de-Wit(LAG), “ Procédé de pilotage de l’angle de chasse des roues avant en fonction de la démultiplication globale de la direction” Date de dépôt : 10/12/2004 - Numéro de plis d’huissier : PH6542.
5. Julien COUDON (LAG/Renault), Xavier Claeys(Renault), Richard Pothin (Renault), Carlos Canudas-de-Wit(LAG), “Procédé de compensation des variations de couple dans le volant dues à une modification de la chasse des roues avant”. Date de dépôt : 21/03/2005, Numéro de plis d’huissier : PH6936.

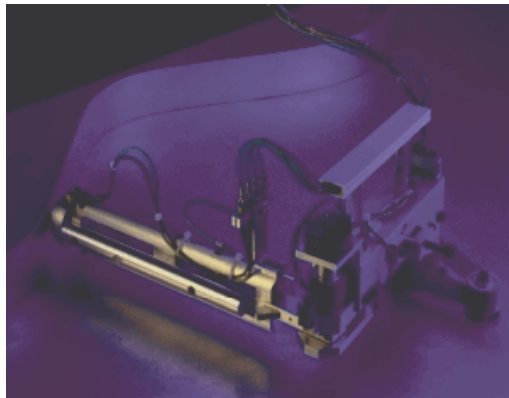
14.3 Transfert de Technologie

1. 2000 Transfert/vente d’OPEC (OPTimal Energy Control) brevet INPG/CNRS No 98/06554 à Schneider Électrique (350 KF).

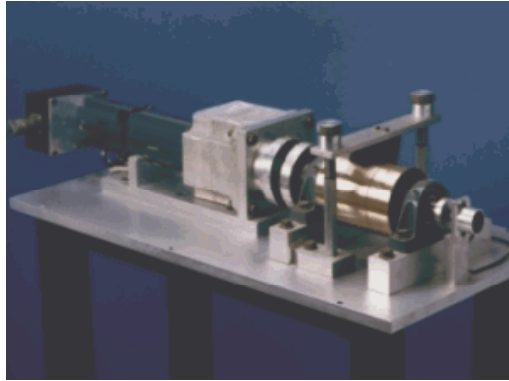
14.4 Prototypes



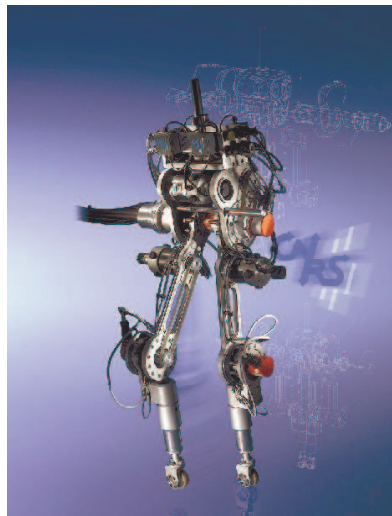
Robot TAM Le robot manipulateur TAM à 4 d.d.l. a été conçu pour les interventions nucléaires. Nous l'avons adapté à une architecture informatique ouverte, pour permettre l'étude des algorithmes d'identification et de commande nonlinéaire. Ce robot a été construit par FRAMATOME, et donné au laboratoire dans le cadre de la thèse de A. Aubin.



Le Robot CAPRI. C'est un robot dans le plan à 2 degrés de liberté, avec flexibilité variable dans les articulations. Il est équipé avec des capteurs de force dans l'effecteur, et dans les arrêts latéraux. Il a été conçu pour étudier les algorithmes de force et position, et pour l'études des tâches "complexes" mouvements alternant des contacts et des déplacements libres. Il a été construit au Laboratoire (Responsable).



Moteur avec frottement variable. C'est un servo-moteur équipé avec un frein mécanique permettant de faire des essais expérimentaux, des méthodes d'estimation et de compensation. Ce prototype a été construit en 1990. Les méthodes de compensation sont opérationnelles depuis 1992 à nous jours (Responsable).



Le robot Rabbit est le résultat d'une conception issue d'un groupe de travail (initie par B. Espiau, et moi même) du GdR. C'est un vrai mécanisme sous-actionné car le contact avec le sol est ponctuel uniquement. Il a été conçu pour l'étude des problèmes de stabilisation périodique nonlinéaire, stabilisation orbitale.



Poste de pilotage actif. Cette maquette a été construite au laboratoire et financé dans le cadre d'un "projet jeune chercheur" du CNRS. Il est équipé d'un capteur de force et d'un moteur pour les retour d'efforts. Il est utilisé dans les études de conduite par fil (collaboration avec Renault), la direction électrique assistée et pour la commande à distance des véhicules et robots mobiles (Responsable).



Véhicule électrique pour la télé-opération (NesCar) Cette maquette a été construite dans le cadre du projet NeCs. Elle servira pour les premiers études de télé-opération, et de testes pour les algorithmes de compensation de retard et de codage.

14.5 Consultance

1. 1987-1989 : Société E.D.A. sur la commande des axes de manutention, expertises
2. 1988 : Société April, expertise sur une loi du type PID.
3. 1990 : Société ALEPH-Technologies sur la commande des robots mobiles.
4. 1991 : Société ALEPH-Technologies sur l'ajustement automatique des régulateurs PID.
5. 1992 : CEA sur l'étude d'une loi de commande pour une robot mobile à plusieurs wagons.
6. 1993 : Météorologie Instruments : sur la commande d'un axe moteur.
7. 1993-96 : IFREMER sur la commande d'un robot sous-marin.
8. 1999 : Institut Max Von Laue-Paul Langevin (ILL), sur le développement d'un régulateur PID robuste adaptable à tout les axes mécaniques soumis à des frottements et des changement d'inertie.
9. 1999-2000 Renault-DR sur la commande et modélisation d'une direction assistée électrique (DAE).
10. 2000-2002 : ASTRIUM , sur l'étude des méthodes de compensation de frottement pour les satellites de pointage fin. Projet dans le cadre du projet "High Performance Acquisition Tracking and Pointing system (HiPATS)", entre l'agence Spatiale Européenne (ESTEC), et ASTRIUM.
11. 2003 : MARTIN GARIN, sur la robotisation d'un banc de soudure.
12. 2004 : Renault groupe moto-propulseur. Etude d'une loi de commande pour la compensations active des vibrations dans le train de transmission.

Troisième partie

Production scientifique : publications

Chapitre 15

Production scientifique : publications

Ouvrages, Participation aux ouvrages

- [1] C.Canudas-de-Wit (1988) "Adaptive Control in Partially Known Systems : theory and applications", Elsevier Publishers, Series in Automation and Control, Vol. 7. Book of 264 pages.
- [2] C.Canudas-de-Wit Ed.(1991) "Advanced Robot Control", Springer-Verlag, Series in Automation and Control, Vol. 162.
- [3] C. Canudas-de-Wit, B. Siciliano and G. Bastin (Eds.) "Theory of Robot Control", 12 author book (C. Canudas-de-Wit one of them, and scientific coordinator) of 550 pages. Springer, Communications and Control Engineering Series, 1996.
- [4] Canudas-de-Wit C. (Ed.) "Commande Des Moteurs Asynchrones Volume 1 : Modelisation Controle Vectoriel Et DTC." Hermes, Série ICC Systèmes Automatisés, 2000.
- [5] Canudas-de-Wit C. (Ed.) "Commande Des Moteurs Asynchrones Volume 2 : Optimisation Discretisation Et Observateurs." Hermes, Série ICC Systèmes Automatisés, 2000.
- [6] Canudas-de-Wit, C. H. Khenouf, O.J. Sordalen and C. Samson (1993) "Nonlinear Control Design for Mobile Robots", Advanced Mobile Robots- Theory and Applications : International Perspectives, Zheng(Ed.) World Scientific Publisher .
- [7] C. Canudas-de-Wit(1997) "Trends on Mobile Robot and Vehicle control", Control problems in Robotics and Automation : future directions, Springer-Verlag, Lecture notes in Control and Information Science 230 (B. Siciliano and K ; Valavanis, Eds.), pp. 151-172, Dec. 1997.
- [8] C. Canudas de Wit (1997) "Invariant manifolds : a tool for stabilization", Chapt. 17 , of Modelling and Control of Mechanical Systems. Imperial College Press, Chapt. 17, pp. 253-273, June 1997.
- [9] C. Canudas de Wit, "Modélisation et Observation des forces d'interaction rue/sol". Dans "Modelisation Et Commande De Vehicules Automobiles", Actes, Ecole d'Ete d'Automatique de Grenoble, 9-13 september, 2002. (Eds. Canudas De Wit C., Sename O.).
- [10] Canudas-de-Wit C., Tsiotras P., Claeys X., Yi J., Horowitz R.(2001) "Friction Tire/Road Modeling, Estimation And Optimal Braking Control." in Nonlinear and Hybrid Systems in Automotive Control, R. Johansson and A. Rantzer(Ed.), Editions Springer, 2002.

- [11] Grognard F., Canudas-De-Wit C. (2005) “Virtual Constraints for the Orbital Stabilization of the Pendubot” (2004). Chapt. Book in Nonlinear and adaptive control : theory and applications for the users. Editor : A. Astolfi. In press.
- [12] E. Witrant, D. Georges, C. Canudas-de-Wit, and M. Alamir (2007), ”On the use of state predictors in networked control systems,” in : Applications of Time-Delay Systems, Chapt. book, Springer. pages 17–36. Springer, March 2007.
- [13] Emmanuel Witrant, Didier Georges, Carlos Canudas De Wit, and Olivier Sename (2007). Stabilisation des systèmes commandés par réseau : une approche prédictive. In J.P. Richard and T. Divoix, editors, *Systèmes commandés en réseaux*, Traité IC2, pages 83–124. Lavoisier - Hermès, 2007.
- [14] Pietro Dolcini, Carlos Canudas De Wit, and Hubert Bechart (2010). *Dry Clutch Control for Automotive Applications*. Advances in Industrial Control. Springer, October 2010.
- [15] Nicolas Cardoso De Castro, Federica Garin, and Carlos Canudas De Wit (2014). *Optimal radio-mode switching for Wireless Networked Control*. In : *Information and Control in Networks*, Lecture Notes in Control and Information Sciences, Springer, pp. 87-119, Vol. 450, 2014.

Journaux avec comité de lecture

- [1] Canudas-de-Wit, C., K.J. Astrom and K. Braum (1987) ”Adaptive Compensation in DC Motor Drives, IEEE Transactions on Robotics and Automation, vol RA-3, No.6, Dec 1987.
- [2] Agarwal, M and C.Canudas-de-Wit,(1986) ”On-line estimation of Time delay and Continuous time process parameters”, International Journal of Control (1987), vol. 46, No. 1, pp. 295-311.
- [3] Canudas-de-Wit, C., K.J. Astrom and N. Fixot (1990) ”Computed Torque Control via Nonlinear Observer”. To appear in International Journal in Adaptive Systems and Process signal, Special Issue in 1990.
- [4] Canudas-de-Wit, C. and J.J-E. Slotine (1990) ” Sliding Observers for Robot Manipulators”. Automatica, Vol.27. No. 5 pp 859-864, 1991.
- [5] Canudas-de-Wit, C. and J. Carrillo (1990) ”A Modified EW-RLS algorithm for system with bounded disturbances”. Automatica, Vol. 26, No. 3, pp. 599-606, 1990.
- [6] Canudas de Wit, C., P. Noel, A. Aubin and B. Blogliato (1991) ”Adaptive Friction Compensation : low velocities”. The International Journal on Robotics Research, Vol 10, No.3, June 1991.
- [7] Canudas de Wit, (1989) ”Experimental Results on Adaptive Friction Compensation in Robot Manipulators : low velocities”, Lecture Notes in Control and Information Sciences, Vol. 139, Edited by V. Hayward and O. Khatib, pp. 196-214.
- [8] Canudas-de-Wit, C. and N. Fixot (1991) ”Robot Control via robust state estimated feedback”, IEEE Transaction on Automatic Control, Vol. 36, No.12, pp.859-864, june 1991. [J14] Canudas-de-Wit, C. and N. Fixot (1992) ”Adaptive Control of Robots via velocity estimate feedback”, IEEE Transaction on Automatic Control, Vol.36, n0.8, Août, 1992.

- [9] Canudas-de-Wit, N. Fixot and K.J. Astrom (1992) "Robot Control via nonlinear state feedback", IEEE Robotics and Automation, Vol.8, No.1, Feb. 1992.
- bibitemJ16 Lozano-Leal, R. and C. Canudas-de-Wit (1990) "Passivity Based-Adaptive Control for Mechanical Manipulators using LS-type estimation" IEEE Transaction on Automatic Control, Vol.35, No.12, pp. 1363-1365, 1990.
- [10] Canudas-de-Wit, (1993). "Robust control for servo-mechanisms under inexact friction compensation" Automatica, Vol.29, No.3, pp.757-761, 1993.
- [11] R. Ortega, Canudas-de-Wit, C. and S.I. Seleme (1993) "Nonlinear Control of Induction Motors : Torque Tracking with Unknown Load Disturbances", IEEE Transaction on Automatic Control, Vol. 38, No11, Nov. 1993.
- [12] Canudas-de-Wit, C. and O.J. Sordalen (1992) "Exponential Stabilization of Mobile Robots with Nonholonomics Constraints", IEEE Transaction on Automatic Control, Vol. 37, No.11, Nov. 1992.
- [13] O.J. Sordalen and Canudas-de-Wit, C. (1993) "Exponential Control Law for a Mobile Robot : Extension to Path Following", IEEE Transaction on Robotics and Automation Dec. 1993, Vol.9, No.6, pp 837-841.
- [14] B. Amrstrong-Hélouvry, Pierre Dupont and C. Canudas-de-Wit (1994) "A Survey of Models, Analysis Tools and Compensation Methods for the Control of Machines with Friction", Automatica, Vol.30, No.7, pp 1038-1138, 1994.
- [15] C. Canudas de Wit (1993) "Application of a bounded Error on-line Estimation Algorithm to Robotics Systems", International Journal of Adaptive and Signal processing, Special Issue on bounded-error estimation : Issue 1, Vol.8, No 1, pp 73-84, Jan-Feb, 1994.
- [16] C. Canudas de Wit, H. Olsen, K.J. Astrom and P. Lischinsky (1995) "A New Model for control of System with Friction", IEEE Transaction on Automatic control, Vol. 40, No.3, March 1995.
- [17] R. Ortega, C. Canudas-de-Wit and Seleme S.I. (1993) "Nonlinear control of induction motors : torque tracking with unknown load disturbance", IEEE Transactions on Automatic Control, Vol.38, No.11, Nov. 1993, pp.1675-1680.
- [18] B. Amrstrong-Hélouvry, Pierre Dupont and C. Canudas-de-Wit (1994) "Friction in Servo Machines : analysis and control methods". Friction-induced vibration" (Ed. Ibrahim RA. Rivin E.), Applied Mechanics Reviews, Vol. 47, No7, July 1994, ASME Reprint No AMR147, pp. 275-307.
- [19] Canudas-de-Wit, C., Lischinsky P, (1996) "Parameter estimation of dynamic friction model and control experiments", International Journal of Adaptive Control, special issue on Mechanical Systems with non-smooth nonlinearities (G. Tao and C. Canudas-de-Wit, Ed.), Vol11, no.1, Dec. 1996.
- [20] C. Canudas-de-Wit, Ndoudi-Likoho A.D. and M. Micaelli (1997), "Feedback Control for a Train Like Vehicle", International Robotic Research, vol.16, no3, June 1997. pp.300-319.
- [21] Oelen W., Berghuis, H., Nijmeijer H. and Canudas de Wit, C. (1995) "Hybrid stabilizing control on a real mobile robot".IEEE Robotics and Automation Journal Magazine, Vol. 2, No. 2, 1995, pp. 162-3.

- [22] M. Perrier, C. Canudas-de-Wit (1996),. "Robust Nonlinear control for subsea robots : design and experiments", Special issue on Subsea Robots, International Journal of Autonomous Robots, 3, pp.195-212, 1996.
- [23] C. Canudas-de-Wit and S.I. Seleme (1997) "Lyapunov-Based Torque Control Design for Induction Motors : the minimum energy approach", Automatica, Vol 33 : No.1, pp.63-79, 1997.
- [24] C. Canudas-de-Wit, B. Brogliato (1997) "Direct Adaptive impedance control", Automatica, Vol. 33, no4, pp. 643-649 1997.
- [25] Olsson H., Åström K.J., Canudas-de-Wit C., Gäfvert M., Lischinsky P. (1998) "Friction models and friction compensation" European Journal of Control, No.4, 1998, pp. 176-195.
- [26] C. Canudas-de-Wit (1998) "Comments on : a new model for control of systems with friction", IEEE Transaction on Automatic Control. IEEE Transactions on Automatic Control, Vol. 43, No. 8, août 1998, pp. 1189-1190.
- [27] Lischinsky P., Canudas-de-Wit C., Morel G. "Friction Compensation For An Industrial Hydraulic Robot." IEEE Control Systems, Vol. 19, non 1, février 1999, pp. 25-33.
- [28] L. Villani, Canudas-de-Wit, C. and B. Brogliato (1999) "An Exponentially Stable Adaptive Force/Position Control for Robot Manipulators", IEEE Transaction on Automatic Control. IEEE Transactions on Automatic Control, Vol. 44, No. 4, 1999, pp. 798-802.
- [29] Canudas-de-Wit, C. and J. Ramirez (1999) "Optimal torque control for current-fed Induction motors", IEEE Transaction on Automatic Control. Vol. 44, No. 5, mai 1999, pp. 1084-1089.
- [30] D. Georges, C. Canudas-de-Wit and J. Ramirez (1999) "Nonlinear H_2 and H_∞ Optimal controllers for current-fed induction motors", IEEE Transaction on Automatic Control. Vol. 44, No. 7, juillet 1999, pp. 1430-1435.
- [31] Canudas-de-Wit C., Horowitz R., Tsotras (1999) P. "Model-Based Observers For Tire/Road Contact Friction Prediction." Partie de l'ouvrage "New Trends in Nonlinear Observer Design", NIJMEIJER H. and FOSSEN T.I. (Eds), juin 1999.
- [32] Canudas-de-Wit and Ndoudi-likoho, A.D. (2000) "Nonlinear Control of Convoy-Like vehicles", Automatica, Vol. 36, No. 3, mars 2000, pp. 457-463.
- [33] Canudas-de-Wit C., Ramirez J.(2000) "Commande A Energie Minimale." Chapitre 2 de "Commande des moteurs asynchrones", Vol. 2 "Optimisation, discrétion et observateurs", sous la direction de C. Canudas-de-Wit, Ed. Hermès, 2000, 288 p., ISBN : 2-7462-0112-7.
- [34] Canudas-de-Wit C., Praly L.(2000) "Adaptive Eccentricity Compensation." IEEE Control Systems Technology, vol. 8, No. 5, septembre 2000, pp. 777-787.
- [35] Villani L., Natale C., Siciliano B., Canudas-de-Wit C.(2000) "An Experimental Study Of Adaptive Force/Position Control Algorithms For An Industrial Robot." IEEE Transactions on Control Systems Technology, vol. 8, No. 5, septembre 2000, pp. 777-787.
- [36] Canudas-de-Wit C., Olguin Diaz E., Perrier M. (2000) "Nonlinear Control Of An Underwater Vehicle/Manipulator System With Composite Dynamics." IEEE Transactions on Control Systems Technology, vol. 8, No. 6, décembre 2000, pp. 948-960.

- [37] Pervozvanski A., Canudas-de-Wit C.(2001) “Vibrational Soothing In Systems With Dynamic Friction.” *Automatica*, Vol. 38, No. 1, pp. 105-114, 2001.
- [38] Garcia E., Gonzalez-De-Santos P., Canudas-De-Wit C.(2002)“ Friction In High-Geared Robotic Systems”. *International Journal of Robotic research*,Vol 21, No. 9 Sept. 2002, pp.761-771.
- [39] C. Chevallereau, G. Abba, Y. Aoustin, F. Plestan, E.R. Westervelt, C. Canudas-de Wit, and J.W. Grizzle (2003).“Rabbit : A Testbed for Advanced Control Theory”. *IEEE Control Systems Magazine*, Oct 2003, Vol. 23 No. 5.
- [40] E. Westervelt, J.W. Grizzle, and C. Canudas-de Wit (2003). “Switching and PI control of walking motions of planar biped walkers.” *IEEE Transactions on Automatic Control*, Vol. 48, N0. 2, February 2003, pp. 308-312 2003.
- [41] Canudas-de-Wit C., Tsiotras P., Velenis E., Basset M., Gissinger G. (2003), “Dynamic Friction Models For Raod/Tire Longitudinal Interaction”. *Vehicle System Dynamics*, Vol. 39, No.3, March 2003.
- [42] Grognard F., Canudas-De-Wit C. (2004) “Design of Orbitally Stable Zero Dynamics for a Class of Nonlinear Systems” (2004). *Systems and Control Letters*, No.51 Issue 2, pp. 89–103, Fev. 2004.
- [43] Canudas-de-Wit C (2004). “On the concept of virtual constraints as a tool for walking robot control and balancing ”. *Annual Reviews in Control*, 28 (2004), pp. 157-166. (Elsevier).
- [44] Attia A., M. Alamir and C. Canudas de Wit (2005), “Voltage Collapse Avoidance In Power Systems : A Receding Horizon Approach”, *Int. Automation and Soft Computing*; special issue on power systems, 2005.
- [45] Velenis E., Tsiotras P., Canudas-De-Wit C. and M. Sorine (2005) “Dynamic tyre friction models for combined longitudinal and lateral vehicle motion”. *Vehicle system dynamics*, Volume 43, Number 1, January 2005.
- [46] Shiriaev, A., J.-W. Perram, C. Canudas-de-Wit (2005) “Constructive Tool For Orbital Stabilization of Underactuated Nonlinear Systems : Virtual Constraints Approach”. *IEEE Trans. on Automatic Control* (regular paper), Vol. 50, No. 8 pp1164-1177, Sept. 2005.
- [47] C. Canudas-de-Wit, , H. Bechart, X. Claeys, P. Dolcini, and J.J. Martinez Molina (2005), ”Fun-to-drive by feedback” , *European Journal of Control : Fundamental issues in Control* (special issue). Dec. 2005.
- [48] A. Viguria, A. Prieto, M. Fiacchini, R. Cano, F.R. Rubio, J. Aracil y C. Canudas-de-Wit. *Desarrollo y experimentación de un vehículo basado en péndulo invertido (PPCar)*. *Revista Iberoamericana de Automática e Informática Industrial (RIAI)*, Vol 3-4, pp 53-62, 2006.
- [49] Ya-Jun Pan, Carlos Canudas De Wit, and Olivier Sename. A New Predictive Approach for Bilateral Teleoperation With Applications to Drive-by-Wire Systems. *IEEE Transactions on Robotics*, 22 :1146–1162, 2006.
- [50] Sid Ahmed Attia, Mazen Alamir, and Carlos Canudas De Wit (2006). Voltage collapse avoidance in power Systems : A Receding-Horizon Approach. *Autosoft journal*, 12 :1–14, 2006.

- [51] John Jairo Martinez Molina and Carlos Canudas De Wit (2007). A Safe Longitudinal Control for Adaptive Cruise Control and Stop-and-Go Scenarios. *IEEE Transactions on Control Systems Technology*, 15(2) :246–258, March 2007.
- [52] Emmanuel Witrant, Carlos Canudas De Wit, Didier Georges, and Mazen Alamir. Remote Output Stabilization via Communication Networks with a Distributed Control Law. *IEEE Transactions on Automatic Control*, 52(8) :1480–1485, August 2007.
- [53] Carlos Canudas De Wit and R. Kelly (2007). Passivity Analysis of a motion control for robots manipulators with dynamic friction. *Asian Journal of Control*, 9(9) :30–36, 2007.
- [54] Pietro Dolcini, Carlos Canudas De Wit, and Hubert Bechart. Lurch avoidance strategy and its implementation in AMT vehicles. *Mechatronics*, 18(5-6) :289–300, June 2008.
- [55] Carlos Canudas De Wit, Francisco Rubio, and Miguel Corchero. DOSKIL : A New Mechanism for Controlling Stick-Slip Oscillations in Oil Well Drillstrings. *IEEE Transactions on Control Systems Technology*, 16(6) :1177–1191, November 2008.
- [56] Karl Johan Åström and Carlos Canudas De Wit. Revisiting the LuGre friction model. *IEEE Control Systems Magazine*, 28(6) :101–114, December 2008.
- [57] Carlos Canudas De Wit, Fabio Gomez Estern, and Francisco Rubio (2009). Delta-Modulation Coding Redesign for Feedback-Controlled Systems. *IEEE Transactions on Industrial Electronics*, 56(7) :1–20, June 2009.
- [58] Carlos Canudas De Wit and Jonathan Jaglin. Energy-aware and entropy coding for Networked Controlled Linear Systems. *International Journal of Robust and Nonlinear Control*, 19(16) :1851–1870, 2009.
- [59] Carolina Albea-Sanchez, Francisco Gordillo Alvarez, and Carlos Canudas De Wit. Adaptive Control Design for a Boost Inverter. *Control Engineering Practice*, 19(1) :32–44, September 2010.
- [60] Fabio Gomez-Estern, Carlos Canudas De Wit, and Francisco Rubio. Adaptive Delta Modulation in Networked Controlled Systems With bounded Disturbances. *IEEE Transactions on Automatic Control*, 56(1) :129–134, January 2011.
- [61] Carolina Albea-Sanchez, Francisco Gordillo Álvarez, and Carlos Canudas De Wit. High Performance Control Design for Dynamic Voltage Scaling Devices. *IEEE Transactions on Circuits and Systems. Part I, Regular Papers*, 58(12) :2919–2930, July 2011.
- [62] Carolina Albea-Sanchez, Francisco Gordillo Álvarez and Carlos Canudas De Wit. Robust Saturated Control for Low-Power Circuits. *IEEE Transactions on Control Systems Technology*, 21(2) :530-537, March.2013
- [63] Carlos Canudas-de-Wit and Javier Aracil, and Francisco, Gordillo and Francisco Salas (2014) The oscillations killer : a mechanism to eliminate undesired limit cycles in a class of nonlinear systems *Int. J. Robust Nonlinear Control*, 24 : 39–53. doi : 10.1002/rnc.2873
- [64] Ruggero Fabbiano, Carlos Canudas-de-Wit, and Federica Garin (2014). Source Localization by Gradient Estimation Based on Poisson Integral. *Automatica*, Elsevier, 2014, 50 (6), pp. 1715-1724

- [65] Lara Briñon Arranz, Alexandre Seuret, and Carlos Canudas-de-Wit Cooperative Control Design for Time-Varying Formations of Multi-Agent Systems *IEEE Transactions on Automatic Control*, 2014, 59 (8), pp. 2283-2288

Conférences

- [1] Canudas-de-Wit, K.J. Aström and K. Braum (1986) "Adaptive Compensation in DC Motor Drives, IEEE Conference on Robotics and Automation, San Fransisco, Cal. U.S.A., April 1986.
- [2] Canudas de Wit, and Van den Bossche (1986) : "Adaptive Control of a Flexible Arm with Explicit Estimation of the Payload Mass and Friction", Int. Symposium on Theory of Robots, Vienna, Austria, Dec. 1986
- [3] Canudas-de-Wit, C. (1986) "Recursive Estimation of Continuous Time Process Parameters" 25th CDC, Athens, Greece, Vol. 3. pp. 2036-2042
- [4] Agarwal, M and Canudas-de-Wit, C. (1986) "On-line estimation of Time delay and Continuous time process parameters", ACC'86 Conference, Seattle, USA.
- [5] Canudas-de-Wit, C. and Lys, O. (1987) "Robust Control and Parameters Estimation in Robots with Flexible Joints", IEEE Conference on Robotics and Automation, April 1988, pp. 324-329.
- [6] Canudas-de-Wit, C. and J. Carrillo (1988) "A Modified EW-RLS algorithm for system with bounded disturbances". IFAC Symposium on System Parameters Identification", China, 1888.
- [7] Canudas-de-Wit, C., P. Noel, A. Aubin and B. Brogliato (1989) "Adaptive Friction Compensation : low velocities". IEEE Conference on Robotics and Automation, Scottsdale, Arizona, USA, 1989.
- [8] Canudas-de-Wit, C. and J.J-E. Slotine (1989). "Sliding Observers for Robot Manipulators" IFAC Symposium on Nonlinear Control System Design, Capri, Italy, August 1989.
- [9] Canudas-de-Wit, C., K.J. Astrom and N. Fixot (1989) "Computed Torque Control via Nonlinear Observer", Presented in Worshop in Nonlinear Adaptive Systems, Merida, Mexico, May, 1989 (invited).
- [10] Canudas-de-Wit, C., K.J. Astrom and N. Fixot (1989) "Robot Control via Nonlinear Observers", Presented in MTNS'89, Amsterdam, Holland. To appear in the proceeding, edited by Springer-Verlag. (invited)
- [11] Canudas de Wit, (1989) "Experimental Results on Adaptive Friction Compensation in Robot Manipulators", First International Symposium in Experimental Robotics Montreal, Canada, June 19-21, 1989 (invited).
- [12] Canudas-de-Wit, C. and V. Seront (1990). "Robust Adaptive Friction Compensation" IEEE-Conference on Robotics and Automation, May 13, Cincinnati, Ohio, 1990.
- [13] Lozano-Leal, R. and C. Canudas-de-Wit (1990) "Passivity Based-Adaptive Control for Mechanical Manipulators using LS-type estimation" ACC'90, conference, U.S.A. June 1990.

- [14] Canudas-de-Wit, C. and N. Fixot (1990) "Robot Control via robust state estimated feedback", Conference on New Trends in System Theory", Genova, Italy, July 1990. (invited)
- [15] Canudas-de-Wit, C. and N. Fixot (1990) "Robot Control using only position feedback", Conference on Analysis of Controlled Dynamical Systems, Lyon France, July, 1990. (invited)
- [16] Canudas-de-Wit, C. and N. Fixot (1990) "Trajectory Tracking in Robot Manipulators via discontinuous velocity estimate feedback", Latin American Congress on Automatics (IFAC-AMCA), Dec. 1990 (invited).
- [17] C.Canudas-de-Wit, and A. Aubin (1990) "Parameter Identification of Robot Manipulator via Sequential Hybrid Estimation Algorithms", IFAC'90 congress, Tallinn, URSS, August 1990.
- [18] Nielsen, L Canudas-de-Wit and Hagander (1990). " Controllability Issues of Robots near Singular Configurations", Advanced robot kinematics conference, Linz, Austria 1990.
- [19] Canudas-de-Wit, C. and N. Fixot (1990) "Adaptive Control of Robots via velocity estimate feedback", IEEE Conference on Robotics and Automation, Sacramento, Cal. April 1990.
- [20] Canudas-de-Wit, C. and R. Roskam (1990) "Path Following of a 2-DOF Mobile Robot under Path and Input Constrains", IEEE Conference on Robotics and Automation, Sacramento, Cal. April 1990.(invited)
- [21] C.Canudas-de-Wit, and A. Aubin (1990) " Robot Parameter Identification via Sequential Hybrid Estimation Algorithms : stability analysis", IEEE Conference on Robotics and Automation, Sacramento, Cal. April 1990.
- [22] Nielsen, L Canudas de Wit and Hagander (1990). " Controllability of Robots Manipulators near Kinematic Singularities", IEEE Conference on Robotics and Automation, Sacramento, Cal. April 1990.
- [23] Canudas-de-Wit, C. and O.J. Sordalen (1991) "Exponential Stabilization of Mobile Robots with Nonholonomics Constraints", IEEE Conference on Decision and Control, Brighton England, Dec. 1991
- [24] Canudas-de-Wit, C. and O.J. Sordalen (1992) "Examples of Piecewise Smooth Stabilization of Driftless NL Systems with less Inputs than States", IFAC Congress on Nonlinear Systems NOLCOS, Bordeaux, France June, 1992. (invited)
- [25] O.J. Sordalen and Canudas-de-Wit, C. (1992) "Exponential Control Law for a Mobile Robot : Extention to Path Following", IEEE congress on Robotics and Automation, Nice, France May, 1992.
- [26] O.J. Sordalen and Canudas-de-Wit, C. (1992) "Path Following and Stabilization of a Mobile Robot", IFAC Congress on Nonlinear Systems NOLCOS, Bordeaux, France June, 1992.
- [27] R. Ortega, Canudas-de-Wit, C. and S.I. Seleme (1992) "Nonlinear Control of Induction Motors : Torque Tracking with Unknown Load Disturbances", American Control Conference (ACC), Chicago, Illinois, June, 1992
- [28] C. Canudas-de-Wit, R. Ortega, and S.I. Seleme (1992) "Robot Motion Control using Induction Motor Drives", IEEE conference on Robotics and Automation, , 2-7 May 1993, Atlanta U.S.A.

- [29] C. Canudas-de-Wit and S.I. Seleme (1993) "Lyapunov-Based Torque Control Design for Induction Motors : the minimum energy approach", IFAC'93, Australia, July,1993.
- [30] O.J. Sordalen, O. Egeland and Canudas-de-Wit, C. (1992) "altitude stabilisation with a nonholonomic constraint", DCD Tucson Arizona, Dec. 1992, pp. 1610-1611.
- [31] A. NDoudi-Likoho, S.I. Seleme and C. Canudas-de-Wit (1993) "Full adaptive control of induction motors", ECC'93, Holland.
- [32] C. Canudas-de-Wit H. Olson, K.J. Astrom and P. Lischinsky (1993) "Dynamic Friction Models and control Design" ACC-93, San Francisco, June 2-4, 1993 (invited).
- [33] C. Canudas-de-Wit D. Williamson and M. R. Bachmayer (1993) "Performance Oriented Robust Control for a Class of Mechanical Systems : a Study Case", IEEE/SMC'93 Conference, Le Touquet-France, October 17-20, 1993.
- [34] D. Williamson and C. Canudas-de-Wit (1993) "Performance Oriented Robust Control for Ridig Robot Manipulator", CDC'93, San Antonio, U.S.A.
- [35] C. Canudas de Wit, B. Brogliato and C.R. Jhonson (1993) "Identification of Continuous-Time Systems with Partially-Known State-Dependent Disturbances", IFAC 1993 World Congress, Sydney Australia, 18-23 July 1993. (invited)
- [36] C. Canudas-de-Wit, Ndoudi-Likoho A.D. and M. Micaelli (1994) "Feedback Control for a Train Like Vehicle", IEEE Congress on Robotic and Automation, San Diego 1994.
- [37] M. Perrier, V. Rigaud, C. Canudas-de-Wit and R. Bachmayer (1994),. "Performance Oriented robust nonlinear control for subsea robots : experimental validation", IEEE Congress on Robotic and Automation, San Diego 1994.
- [38] C. Canudas-de-Wit, Ndoudi-Likoho (1994) "Nonlinear control for a convoy-like vehicle", IFAC SYROCO, 19-21 Sept. 1994, Capri, Italy. (invited)
- [39] Seleme, I, E. Mendes C. Canudas-de-Wit and A. Razek (1993) "Experimental validation of the minimum energy approach for induction motor control", IEEE/SMC'93 Conference, Le Touquet-France, October 17-20, 1993 (invited).
- [40] C. Canudas-de-Wit, B. Brogliato (1994) "Direct Adaptive impedance control", IFAC SYROCO, 19-21 Sept. 1994, Capri, Italy.
- [41] E. Mendes, Seleme, I, C. Canudas-de-Wit and A. Razek (1993) "Robust Torque Control of Induction Motors with Poxer Factor Optimization : experimental evaluation", IECON'94, Bologne (Italy), Sept. 1994.
- [42] Oelen W., Berghuis, H., Nijmeijer H. and Canudas-de-Wit, C. (1994) "Implementation of a hybrid stabilizing controller on a mobile robot with two degrees of freedom", IEEE Congress on Robotic and Automation, San Diego 1994.
- [43] Canudas-de-Wit, C., Berghuis, H., Nijmeijer H. (1994) "Practical stabilization of nonlinear systems in chained form , CDC'94, Orlando, Florida, USA, Dec. 1994. (invited)
- [44] Seleme, S.I., Petersson M. and Canudas-de-Wit, C. (1994) "The torque tracking of induction motors via efficiency optimization". CDC'94, Orlando, Florida, USA, Dec. 1994.(invited)

- [45] Khenouf H., Canudas-de-Wit, C. (1995) "On the construction of stabilizing discontinuous controllers for nonholonomic systems", IFAC-NOLCOS'95, Tahoe City, Cal. June 1995.
- [46] Williamson D., Canudas-de-Wit, C. (1995) "Performance-Oriented Robust Control for a Class of Nonlinear Systems", ECC'95, Rome, Italy, Sept. 1995.
- [47] Khenouf H., Canudas-de-Wit, C., and Van Der Schaft, A.J. (1995) "Preliminary results on asymptotic stabilization of Hamiltonian systems with nonholonomic constraints", 34th IEEE Conference on Decision and Control, New-Orleans, USA Dec 1995.
- [48] Canudas-de-Wit, C. and Khenouf H., (1995) "Quasi-continuous stabilizing controllers for non-holonomic systems : design and robustness considerations", ECC'95, Rome, Italy, Sept. 1995. (invited)
- [49] Ndoudi-Likoho and C. Canudas-de-Wit,(1995) "Dynamic nonlinear control for a platoon of cars" , IFAC Workshop on Advances in Automotive Control, Ascona (Suisse), Mars 1995.
- [50] Khenouf, H. and Canudas-de-Wit, C. (1996) "Quasi-Continuous Exponential Stabilizers for nonholonomic systems", 13th IFAC, Word Congress, San Francisco, USA, Jun 1996.
- [51] Canudas de Wit, C. and P. Lischinsky (1996) "Adaptive Friction compensation with Dynamic Model", 13th IFAC, Word Congress, San Francisco, USA, Jun 1996.
- [52] Lischinsky P, Canudas de Wit, C., and Morel G. (1996) "Friction compensation of a schilling hydraulic robot", IEEE'97 Conference on Control applications, Hartford, Connecticut (USA), 5-7 Oct.
- [53] L. Villani, C. Canudas-de-Wit, C. and B. Blogliato (1996) "An Exponentially Stable Adaptive Force/position Control for Robot Manipulator", 13th IFAC, Word Congress, San Francisco, USA, Jun 1996.(invited)
- [54] Ramirez, J. and C. Canudas-de-Wit (1996) "Optimal torque control for current-fedded Induction motors : Experimental evaluation", Electrimacs/96, Saint-Nazaire Fance, 18 Sept. 1996.(invited)
- [55] L. Villani, B. Siciliano, C. Canudas-de-Wit, C. and B. Blogliato (1996) "Force/position control of a robot Manipulator in contact with a compliant environment", Proceedings of the Research Worshop of ERNET-European robotics Network, Darmstadt, Set. 9-10. Allemagne 1996. World Scientific.(invited)
- [56] G. Ferretti, C. Canudas-de-Wit, C. and B. Blogliato (1996) "Simultaneous Force Stabilization for Rigid and Flexible Mechanisms under complinat contacts", Proceedings of the Research Worshop of ERNET-European robotics Network, Darmstadt, Set. 9-10. Allemagne 1996.World Scientific.
- [57] L. Villani, Canudas de Wit, C. and B. Brogliato (1996) "An Exponentially Stable Adaptive Force/Position Control for Robot Manipulators", 13th IFAC, Word Congress, San Francisco, USA, Jun 1996.
- [58] Canudas-de-Wit, C. and J. Ramirez (1996) "Optimal torque control for current-fedded Induction motors", Proceedings of the American Control Conference, June 1997.
- [59] Fragopoulos D. and C. Canudas-de-Wit (1996) "Combination of invariant sets as a tool for stabilization", Conference on Decision and Control, San Diego, Dec. 1997.

- [60] Ndoudi-likoho, A.D. and Canudas-de-Wit (1996) "Nonlinear Control of Multi-body Wheeled vehicles", Conference on Decision and Control, San Diego, Dec. 1997 (invited).
- [61] G. Shuzhi and C. Canudas-de-Wit (1996) "Adaptive friction compensation with generalized velocity/position dependency", Conference on Decision and Control, San Diego, Dec. 1997.
- [62] D. Georges, C. Canudas-de-Wit and J. Ramirez (1996) "Nonlinear H_2 and H_∞ Optimal controllers for current-fed induction motors", European Control Conference, Louven-la-Neuve, 1997 (invited).
- [63] C. Canudas-de-Wit L. Roussel and A. Goswami (1996) "Periodic Stabilization of a 1-DOF Hopping Robot under Nonlinear Compliant Surface", IFAC-SYROCO'97, Nantes 1997.
- [64] C. Canudas de Wit and R. Kelly (1996) "Passivity-based control design for robots with dynamic friction", IASTED- Robotics and Manufacturing, Cancun, May 1997.
- [65] M. Perrier, C. Canudas-de-Wit (1997),. "Commande robuste en robotique sous-marine :étude comparative. Application au contrôle d'un système couple ROV/ Manipulateur", Séminaire MACSIM "Control de processus", Toulon, 20 Juin 1997 (invited).
- [66] Canudas-de-Wit, C., Lischinsky P, (1996) "Adaptive friction compensation with partially known dynamic friction model", IFAC Worl congress, San Fransisco, 1996.
- [67] A. Pervozvanski, and Canudas-de-Wit, C. (1997) "Vibrational Smoothing in Systems with Dynamic Friction", IFAC workshop NOLCOS'98, Twente, June 1998.
- [68] Canudas-de-Wit, C. , and L. Praly (1998) "Adaptive eccentricity compensation", Submitted to CDC'98, Orlando, USA, Dec. 1998.
- [69] C. Canudas-de-Wit, E. Olguin Diaz and M. Perrier, (1998),. "Control of Underwater Vehicle/manipulator with composite dynamics", American Control Conferences, Philadelphia (USA), 24-26 juin 1998. June 1998.
- [70] C. Canudas-de-Wit, E. Olguin Diaz and M. Perrier, (1998), "Nonlinear control of Underwater Vehicle/manipulator with composite dynamics", IEEE Robotics and Automation conference, Louven (Belgique) 21 May 1997.
- [71] E. Olguin Diaz, C. Canudas-de-Wit and M. Perrier, (1998),. "A comparative study of neglected dynamics on an Underwater Vehicle/Manipulator system under nonlinear robust control", Proceedings of OCEANS'98 IEEE Conferece and Exhibition. Nice, France, 1998.
- [72] Roussel L., Canudas-de-Wit C., Goswami "A. Generation Of Energy Optimal Complete Gait Cycle For Biped Robots". ICRA'98, Bruxelles, Louvain-la-Neuve (Belgique).
- [73] Astrom K.J., Canudas-de-Wit C., Sorine M. "Control Of Systems With Dynamic Friction." Workshop on Systems with Friction, Tampa, Floride (USA), 14 décembre 1998.
- [74] Canudas-de-Wit C. "Control Design For Ultrasonic Motors With Dynamic Friction Interface." IFAC'99 World Congress, Beijing (Chine), juin 1999 (invited).
- [75] Canudas-de-Wit "C. Control Of Friction-Driven Systems". ECC'99, European Control Conference, Karlsruhe (Allemagne), 31 août - 3 Septembre 1999(invited).

- [76] Claeys X., Canudas-de-Wit C., Bechart H. "Modeling And Control Of The Steering Actuator For Heavy Duty Vehicules." ECC'99, European Control Conference, Karlsruhe (Allemagne), 31 août – 3 septembre 1999.
- [77] Canudas-de-Wit C., Claeys X., Bechart H. "Stability Analysis Via Passivity Of The Lateral Actuator Dynamics Of A Heavy Vehicule." IEEE International Symposium on Computer-Aided Control Systems Design, Hawaii (USA), 22-26 août 1999. (Conference invité)
- [78] Canudas-de-Wit C., Tsiotras P. "Dynamic Tire Friction Models for Vehicle Control." Conference on Decision and Control (CDC '99), Phoenix (Arizona, USA), décembre 1999.
- [79] Canudas-de-Wit C. "Control of Systems with Friction". IEEE Conference on Control Applications, CCA'99, Hawaii (USA), 22-27 août 1999 (invited).
- [80] Canudas-de-Wit C., Horowitz R. "Observers For Tire/Road Contact Friction Using Only Wheel Angular Velocity Information." Conference on Decision and Control, CDC '99, Phoenix (Arizona, USA), décembre 1999.
- [81] Canudas-de-Wit C., Brogliato B. "Stability Issues For Vehicle Platooning In Automated Highway Systems." IEEE Conference on Control Applications, CCA'99, Hawaii (USA), 22-27 août 1999 (invited).
- [82] Tsiotras P., Canudas-de-Wit C. "On The Optimal Braking For Wheeled Vehicles." American Control Conference (ACC'2000), Chicago, Illinois (USA), 28-30 juin 2000.
- [83] Claeys X., Canudas-de-Wit C., Bechart H. "Lateral Control Of Heavy Duty Vehicles In A Convoy." IFAC Conference on Mechatronics Systems, Darmstadt (Allemagne), 18-20 septembre 2000, pp. 127-133 (invited).
- [84] Claeys X., Canudas-de-Wit C., Bechart H. "Commande Laterale Des Poids Lourds En Convoi." Conférence Internationale Francophone d'Automatique, CIFA 2000, Lille, France (invited).
- [85] Canudas-de-Wit C. "Linear Space-Invariant Control As An Alternative to Discontinuous Switching Controllers." Proceedings of the 6th IEEE International Workshop on Variable Structure Systems : " Advances in Variable Structure Systems : Analysis, Integration and Applications ", pp. 135-146, World Scientific, Xianghuo Yu and Jian-Xin Xu (Editors), Gold Coast, Queensland (Australie), 7-9 décembre 2000.
- [86] Canudas-de-Wit C., Youssef A., Barbot J.P., Martin P., Malrait F. "Observability Conditions Of Induction Motors At Low Frequencies." Conference on Decision and Control, Sydney (Australie), décembre 2000.
- [87] Jingang Y., Alvarez L., Horowitz R., Canudas-de-Wit C. "Adaptive Emergency Braking Control Using A Dynamic Tire/Road Friction Model." 39th IEEE Control on Decision Conference, Sydney (Australie), décembre 2000.
- [88] Canudas-de-Wit C., Billot P. "Human Friendly Control : Application To Steering Drive-By Wire Systems". IFAC Workshop on Advances in Automotive Control, Karlsruhe (Allemagne), 28-30 mars 2001 (invited).

- [89] Claeys X., Yi J., Alvarez L., Horowitz R., Canudas-de-Wit C., Richard A. "A New 3D Dynamic Tire/Road Friction Model For Vehicle Simulation And Control." ASME-IMECE DSC, Nov. 20001.
- [90] Claeys X., Yi J., Alvarez L., Horowitz R., Canudas-de-Wit C., Richard A. "Tire Friction Modeling Under Wet Road Conditions." American Control Conférence, Juin 2001.
- [91] Canudas-de-Wit C., Guegan S., Richard A. "Control Design For An Electro-Power Steering System : Part I The Reference Model." ECC'2001, European Control Conference, Porto (Portugal), septembre 2001 (invited).
- [92] Canudas-de-Wit C., Guegan S., Richard A. "Control Design For An Electro-Power Steering System : Part II The Control Design." ECC'2001, European Control Conference, Porto (Portugal), septembre 2001 (invited).
- [93] Canudas-de-Wit C., Kolmanovsky I., Sun J. "Adaptive Pulse Control Of Electronic Throttle". American Control Conference, ACC'01, Washington, (D.C., USA), 25-27 juin 2001.
- [94] Favela, A., I. Perez, and C. Canudas-de-Wit, (2002) "Further results on the identification of an Electronic-throttle", 10th Mediterranean Conference On Control And Automation, Lisbon, Portugal, July 9-12, 2002.
- [95] Canudas-de-Wit C., Youssef A., Nguyen-Phuoc V.T. "Almost Globally Stable Nonlinear Speed Observer For A Permanent Magnet Synchronous Motor", 40th IEEE Conference on Decision and Control (CDC), Las Vegas, Nevada, USA, 10-13 december 2002.
- [96] Grogard F., Canudas-De-Wit C. "Design of Orbitally Stable Zero Dynamics for a Class of Nonlinear Systems". 40th IEEE Conference on Decision and Control (CDC), Las Vegas, Nevada, USA, 10-13 december, 2002.
- [97] Vivas, C., Rubio F.R., Canudas-de-Wit C. "Gain-Scheduling Control Of Systems With Dynamic Friction" 40th IEEE Conference on Decision and Control (CDC), Las Vegas, Nevada, USA, 2002, 10-13 december.
- [98] Canudas-de-Wit C., Espiau B., Urrea C. "Orbital Stabilization Of Underactuated Mechanical Systems". 15th World Congress IFAC, Barcelona (Spain), 2002, 21-26 July (invited).
- [99] Canudas-De-Wit C., Perruquetti W. "Smoothing Strategies For High-Gain Control". IFAC Latin American Control Conference, Guadalajara (Mexique), 2002, decembre.
- [100] Canudas-De-Wit "Advances in Walking robot Control". IFAC Latin American Control Conference, Guadalajara (Mexique), 2002, decembre (conference plénière).
- [101] Urrea C., Canudas De Wit C., Mahla I. Orbital Stabilization Of An Underactuated Three-Link Planar Robot, "International Symposium on Advanced Robot Systems and Virtual Reality", Bourges (France), 2002, Juin.
- [102] Velenis E., Tsiotras P., Canudas-De-Wit C. "Extension Of The Lugre Dynamic Tire Friction Model To 2D Motion IEEE Control Mediterranean conference", Lisboa, June 2002 (invited).

- [103] Perram J., Shiriaev A., Canudas-de-Wit C., Grognard F. “Explicit Formula for A General Integral Of Motion For A Class Of Mechanical Systems Subject To Holonomic Constraint”. IFAC workshop on Hamiltonian Systems, Sevilla, April, 2003.
- [104] Wiltrant, E, C. Canudas-de-Wit, and D. Georges, “Output stabilization via two-channel transmission communication” . IFAC workshop on Time-Delay system, Rocquencourt, Sept 8-13, France 2003.
- [105] Canudas-de-Wit C., M. L. Petersen M.L., and Shiriaev A. “A New Nonlinear Observer For Tire/Road Distributed Contact Friction”. IEEE Control and Decision Conference, Mahui, USA, Dec. 2003.
- [106] Canudas-de-Wit C. “Virtual constraints : a tool for walking robot control and balancing”. IFAC workshop SYROCO’03, Wroclaw, Poland, Sept.1-3 2003 (Plenary conference).
- [107] E. Westervelt, J.W. Grizzle, and C. Canudas-de Wit. “Switching and PI control of walking motions of planar biped walkers.” IEEE Control and Decision Conference, Mahui, USA, Dec. 2003.
- [108] Martinez, J.-J., Avila Vilchis J.C., Canudas-de-Wit C. (2004) “A New Bicycle Model With 3D Dynamic Tire/Road Friction Forces”. IFAC Symposium on Advanced Vehicle control, Salerno, Italy, April, 2004.
- [109] Martinez, J.-J. and Canudas-de-Wit C.(2004) “Model reference control approach for safe longitudinal control”. American Control Conference, Boston, USA June 2004.
- [110] Canudas-de-Wit C. and R. Kelly (2004) “Robot control using the extended passive LuGre friction model”. IFAC Latinoamerican Control Conference, La Habana, Cuba, May, 2004
- [111] Canudas-de-Wit C. (2004) “On orbital stabilization of under-actuated mechanical systems”. Workshop on Applications of advanced Control Theory to Robotics and Automation Villa Mondragone, Monteporzio Catone, Roma, Italy June 3-4, 2004 (invited).
- [112] O.-R. Natale, O. Sename, and C. Canudas-de-Wit (2004), ”Inverted Pendulum Stabilization through the Ethernet Network, Performance Analysis”, American Control Conference, Boston, USA, June 2004.
- [113] Martinez Molina J.J. and Canudas De Wit C.(2004) “Model reference control approach for safe longitudinal control” IEEE American Control Conference, IEEE Boston, USA, June 2004.
- [114] Wiltrant, E, C. Canudas-de-Wit, D. Georges, and M. Alamir(2004) “Remote stabilization via time-varying communication network delays” . IEEE Control application Conference, Tapei, Taiwan, Sept. 2004 (invited).
- [115] Attia, S.A., Canudas de Wit c., Alamir (2004), “A lyapunov-based hybrid control strategy for voltage collapse avoidance in a power system”, World Automation Congress, Sevilla Spain, June 2004 (invited).
- [116] Shiriaev A. and Canudas-de-Wit C. (2004) “Virtual constraints a constructive tool for orbital stabilization of underactuated nonlinear systems : part I Theory”. IFAC NOLCOS’04 (Germany).

- [117] Shiriaev A. and Canudas-de-Wit C.(2004) “Virtual constraints a constructive tool for orbital stabilization of underactuated nonlinear systems : part II Study cases of pendular systems”. IFAC- NOLCOS’04 (Germany).
- [118] Shiriaev A., Anders Sandberg, and Canudas-de-Wit C.(2004) “Motion Planning and Feedback Stabilization of Periodic Orbits for an Acrobot”. 43rd IEEE Conference on Decision and Control, CDC 04, 14-17 december 2004, Atlantis, Paradis Island, Bahamas.
- [119] Pan Y.J., Canudas-de-Wit C., Sename O. (2004)“Predictive controller design for bilateral teleoperation systems with time varying delays”, 43rd IEEE Conference on Decision and Control, CDC 04, 14-17 december 2004, Atlantis, Paradis Island, Bahamas.
- [120] Attia S.A., Alamir M., Canudas-de-Wit C. (2005), “Sub optimal control of switched nonlinear systems under location and switching constraints”. 16th IFAC World Congress, Prague, 4-8 july 2005, Prague, Czech republic.
- [121] Jacquet, D. , Canudas-de-Wit C. and Koenig (2005), “Optimal ramp metering strategy with extended LWR model ; analysis and computational methods”. 16th IFAC World Congress, Prague, 4-8 July 2005, Prague, Czech republic.
- [122] Dolcini P., C. Canudas-de-Wit, and H. Béchart, “Improved optimal control of dry clutch engagement,” 16th IFAC World Congress, Prague, 4-8 July 2005, Prague, Czech republic.
- [123] Martinez J.-J. Carlos Canudas-de-Wit, “ A Collision Warning System based on an Inter-distance Reference Model”, 16th IFAC World Congress, Prague, 4-8 July 2005, Prague, Czech republic.
- [124] A. Viguria, R. Cano, M. Fiacchini, A. Prieto, B. J. Vela, F. R. Rubio, J. Aracil y C. Canudas-de-Wit, “PPCar (Personal Pendulum Car) : Vehículo basado en péndulo invertido”, Jornadas de Automatica de Alicante, Obtention du prix ”Innovación y desarrollo en los sistemas de automatización” .
- [125] Jacquet, D. Canudas-de-Wit C. and Koenig, D. (2005) “Freeway traffic control and monitoring with disturbed macroscopic models”, 44rd IEEE Conference on Decision and Control, Dec. 2005, Sevilla, Spain.
- [126] Dolcini, P., Bechart, H. and Canudas-de-Wit C. (2005) “Observed-based optimal control of dry clutch engagement” ,44rd IEEE Conference on Decision and Control, Dec. 2005, Sevilla, Spain.
- [127] Canudas-de-Wit C., M. Cocherro, F. Rubio and E. Navarro (2005) “D-OSKIL : a new mechanism for suppressing stick-slip in Oil well drillstrings”, 44rd IEEE Conference on Decision and Control, Dec. 2005, Sevilla, Spain.
- [128] Canudas-de-Wit C., J. Aracil, F. Gordillo and F. Salas (2005) “The oscillation killer : a mechanism to eliminate undesired limit cycles in nonlinear systems”, 44rd IEEE Conference on Decision and Control, Dec. 2005, Sevilla, Spain.
- [129] C. Canudas-de-Wit (2005) “Fun-to-drive by feedback”. Plenary session on the IEEE Conference on Decision and Control, Dec. 2005, Sevilla, Spain.
- [130] Coudon, J., Claeys, X. and Canudas-de-Wit C. (2006) “A new global reference model for steer-by-wire control with embedded vehicle dynamics”, IEEE American Control Conference , June. 2006, USA.

- [131] Carlos Canudas-de-Wit, F. Rodriguez Rubio, J. Fornes Rumbao, and F. Gomez-Estern Aguilar (2006) "Differential Coding in Networked Controlled Linear Systems", IEEE American Control Conference, ACC'06, June, Minneapolis, USA. (invited session).
- [132] D. Jacquet, Krstic, Miroslav, and Carlos Canudas-de-Wit, (2006) "Optimal Control of Scalar One-Dimensional Conservation Laws", IEEE American Control Conference, ACC'06, June. 2005, Minneapolis, USA. (invited session).
- [133] E. Witrant, D. Georges, and C. Canudas-de-Wit, (2006) "Optimal control design for the stabilization of network controlled systems," American Control Conference, June 2006, ACC'06
- [134] D. Jacquet, J. Jaglin, D. Koenig and C. Canudas-de-Wit (2006) "Non-Local Feedback Ramp Metering Controller Design", Proceedings of the 11th IFAC Symposium on Control in Transportation Systems (CTS), Delft, The Netherlands, 2006.
- [135] D. Jacquet, M. Krstic and C. Canudas-de-Wit, (2006) "Optimal Control of Scalar One-Dimensional Conservation Laws", Proceedings of the 2006, American Control Conference, Minneapolis, U.S.A., 2006.
- [136] D. Jacquet, C. Canudas-de-Wit, and D. Koenig, "Optimal Control of Systems of Conservation Laws and Application to Non-Equilibrium Traffic Control", Proceedings of the 13th IFAC Workshop on Control Applications of Optimisation, Cachan, France, 2006.
- [137] Denis Jacquet, M. Krstic, and Carlos Canudas De Wit. Optimal control of scalar one-dimensional conservation laws. In *American Control Conference, IEEE ACC'06*, 14-16 June 2006, Minneapolis (Minnesota) Etats Unis d'Amerique, pages –, Minneapolis, États-Unis, 2006.
- [138] Dolcini, P., Bechart, H. and Canudas-de-Wit C. (2006), "Lurch Avoidance Strategy And Its Implementation In AMT Vehicles", MECHATRONICS 2006 - 4th IFAC-Symposium on Mechatronic Systems Heidelberg, Germany, September 12th-14th, 2006.(Invited sessions). *Best student paper award*.
- [139] M. Cochero, C. Canudas-de-Wit, C. and F. Rubio(2006), "Stability of the D-OSKIL Oscillation Suppression Mechanism for Oil Well Drillstrings", 45rd IEEE Conference on Decision and Control, Dec. 2006.
- [140] F. Gomez-Estern Aguilar, Carlos Canudas-de-Wit, F. Rodriguez Rubio, and J. Fornes Rumbao (2006) "Adaptive Delta-modulation Coding for Networked Controlled Systems". 45rd IEEE Conference on Decision and Control, Dec. 2006.
- [141] M. Fiacchini, A. Viguria, R. Cano, A. Prieto, F.R. Rubio, J. Aracil y C. Canudas-de-Wit. *Design and Experimentation of a Personal Pendulum Vehicle*. 7th Portuguese Conference on Automatic Control (CONTROLO'06), 11-13, September, Lisboa, Portugal, 2006.
- [142] Emmanuel Witrant, Didier Georges, and Carlos Canudas De Wit (2006). Du Canal de Communication à la Problématique des Systèmes Commandés par Réseaux. In *IEEE Conférence Internationale Francophone d'Automatique, CIFA 2006*, page 6 p., France, December 2006.
- [143] Carlos Canudas De Wit, Jonathan Jaglin, and Cyrille Siclet. Energy-aware 3-level coding and control co-design for sensor network systems. In *16th IEEE International Conference on Control Applications, CCA*, pages <http://www-lag.ensieg.inpg.fr/canudas/>, Singapour, 2007.

- [144] Ivan Lopez, C. T. Abdalla, and Carlos Canudas De Wit.(2007) Gain-Scheduling Multi-Bit Delta-Modulator for Networked Controlled System. In *European Control Conference, ECC'07*, page s/n, Kos, Greece, July 2007.
- [145] Carlos Canudas De Wit, Kelit Crisanto Vega, and Jonathan Jaglin (2007). Non uniform sampling coding in networked controlled linear systems. In *European Control Conference, ECC'07*, 2-5 July 2007, Kos, Greece, page 6, Kos, Greece, July 2007. ECC.
- [146] Fabio Gomez Estern, Carlos Canudas De Wit, Francisco Rubio, and Jose Fornes (2007). Adaptive delta-modulation coding for networked controlled systems. In *American Control Conference, IEEE ACC'07*, 11-13 July 2007, New York City, USA, page 7, New York City, États-Unis, 2007. IEEE.
- [147] Carolina Albea-Sanchez, Carlos Canudas De Wit, and Francisco Gordillo Alvarez (2007). Adaptive Control of the Boost DC-AC Converter. In *IEEE 22nd International Symposium on Intelligent Control, ISIC 2007*, Singapour, Singapour, 2007.
- [148] Carolina Albea-Sanchez, Francisco Gordillo Alvarez, and Carlos Canudas De Wit. Control Adaptativo del Inversor Boost. In *XXVIII Jornadas de Automática*, pages 1000–1006, Espagne, September 2007.
- [149] Jonathan Jaglin, Carlos Canudas De Wit, and Cyrille Siclet. Delta Modulation for Multivariable Centralized Linear Networked Controlled Systems. In *47th IEEE Conference on Decision and Control, CDC 2008*, page 8, Cancun, Mexique, 2008.
- [150] Jose Cueli and Carlos Canudas De Wit (2008). Passivity of Interconnected Asynchronous Discrete-Time Systems. In *17th IFAC World Congress*, page s/n, Séoul, Corée, République Populaire Démocratique De, July 2008.
- [151] Carolina Albea-Sanchez, Francisco Gordillo Alvarez, and Carlos Canudas De Wit. Adaptive Control of the Boost Inverter with Load RL. In *17th IFAC World Congress*, pages 3316–3321, Seoul, Corée, République De, July 2008.
- [152] Carolina Albea-Sanchez, Carlos Canudas De Wit, and Francisco Gordillo Alvarez. Advanced Control Design for Voltage Scaling Converters. In *34th Annual Conference of the IEEE Industrial Electronics Society (IECON'08)*, pages 79–84, Orlando, États-Unis, November 2008.
- [153] H. Zakaria, L. Fesquet, S. Durand, C. Albea-Sanchez, Y. Thonnard, C. Canudas De Wit, and N. Marchand. Integrated Asynchronous Regulation for Nanometric Technologies : Application to an Embedded Parallel System. In *MINATEC CROSSROADS'08*, Grenoble, France, June 2008.
- [154] Manuel Lopez-Martinez, Carlos Canudas De Wit, and Francisco Rubio. Stability of Asynchronous Feedback-Interconnected Dissipative Systems. In *European Control Conference*, budapest, Hongrie, August 2009.
- [155] Lara Briñon Arranz, Alexandre Seuret, and Carlos Canudas De Wit (2009). Translation Control of a Fleet Circular Formation of AUVs under Finite Communication Range. In *48th IEEE Conference on Decision and Control, CDC 2009*, page 6, Shanghai, Chine, December 2009.

- [156] Brandon Moore and Carlos Canudas De Wit (2009). Formation Control via Distributed Optimization of Alignment Error. In *48th IEEE Conference on Decision and Control, CDC 2009*, page unknown, Shanghai, Chine, December 2009.
- [157] Carolina Albea-Sanchez, Carlos Canudas De Wit, and Francisco Gordillo Alvarez. Control and Stability Analysis for the Vdd-hopping Mechanism. In *IEEE MSC, Conference on Control and Applications*, Saint-Petersburg, Russie, Fédération De, July 2009.
- [158] Riccardo Ceccarelli, Carlos Canudas De Wit, Philippe Moulin, and A. Sciarretta (2009). Model-based Adaptive Observers for Intake Leakage Detection in Diesel Engines. In *American Control Conference, IEEE ACC'09*, page s/n, Saint Luis, Missouri, États-Unis, June 2009.
- [159] Riccardo Ceccarelli, Philippe Moulin, and Carlos Canudas De Wit (2009). Robust Strategy for Intake Leakage Detection in Diesel Engines. In IEEE, editor, *IEEE Conference on Control applications, CCA*, page s/n, Saint Petersburg, Russie, Fédération De, July 2009.
- [160] Haochuan Lu, Jonathan Dumon, and Carlos Canudas De Wit. Experimental study of the D-OSKIL mechanism for controlling the stick-slip oscillations in a drilling laboratory testbed. In *2009 IEEE Multi-conference on Systems and Control*, pages –, Saint Petersburg, Russie, Fédération De, 2009.
- [161] Rafael Barreto Jijon, Carlos Canudas De Wit, Silviu-Iulian Niculescu, and Jonathan Dumon. Adaptive Observer Design under Low Data Rate Transmission with Applications to Oil Well Drill-string. In *2010 American Control Conference - ACC2010*, pages 1973–1978, Baltimore, Maryland, USA, 2010.
- [162] Nicolas Cardoso De Castro, Carlos Canudas De Wit, and Karl Henrik Johansson. On Energy-Aware Communication and Control Co-design in Wireless Networked Control Systems. In *2nd IFAC Workshop on Distributed Estimation and Control in Networked Systems (NecSys'10)*, pages 49–54, Annecy, France, September 2010.
- [163] Lara Briñon Arranz, Alexandre Seuret, and Carlos Canudas De Wit (2010). Contraction Control of a Fleet Circular Formation of AUVs under Finite Communication Range. In *2010 American Control Conference - ACC2010*, page 6, Baltimore, Maryland, États-Unis, June 2010.
- [164] Lara Briñon Arranz, Alexandre Seuret, and Carlos Canudas De Wit (2010). General Framework using Affine Transformations to Formation Control Design. In *2nd IFAC Workshop on Distributed Estimation and Control in Networked Systems (NecSys'10)*, page 6, Annecy, France, September 2010.
- [165] Brandon Moore and Carlos Canudas De Wit (2010). Source Seeking via Collaborative Measurements by a Circular Formation of Agents. In *2010 American Control Conference - ACC2010*, page s/n, Baltimore, Maryland, États-Unis, July 2010.
- [166] Riccardo Ceccarelli, Philippe Moulin, and Carlos Canudas De Wit. Turbine Efficiency Estimation for Fault Detection Application. In *SAE 2010 World Congress & Exhibition*, volume <http://papers.sae.org/2010-01-0568/>, page s/n, Detroit, États-Unis, April 2010. SAE International.

- [167] Jiang Wenjuan, Carlos Canudas De Wit, Olivier Sename, and Jonathan Dumon. A new mathematical model for car drivers with spatial preview. In *18th IFAC World Congress (IFAC WC 2011)*, page S/N, Milano, Italie, August 2011.
- [168] Alireza Farhadi and Carlos Canudas De Wit (2011). An Integration Framework For Control/Communication/Computation (3C) Co-design With Application In Fleet Control Of AUVs. In *50th IEEE Conference on Decision and Control and European Control Conference (IEEE CDC-ECC 2011)*, page s/n, Orlando, Floride, États-Unis, December 2011.
- [169] Lara Briñon Arranz, Alexandre Seuret, and Carlos Canudas De Wit (2011). Collaborative Estimation of Gradient Direction by a Formation of AUVs. In *5th International ICST Conference on Performance Evaluation Methodologies and Tools (VALUETOOLS 2011)*, page 8, Cachan, France, May 2011.
- [170] Lara Briñon Arranz, Alexandre Seuret, and Carlos Canudas De Wit (2011). Collaborative Estimation of Gradient Direction by a Formation of AUVs under Communication Constraints. In *50th IEEE Conference on Decision and Control and European Control Conference (IEEE CDC-ECC 2011)*, page 6, Orlando, Floride, États-Unis, December 2011.
- [171] Lara Briñon Arranz, Alexandre Seuret, and Carlos Canudas De Wit. Elastic Formation Control Based on Affine Transformations. In *2011 American Control Conference - ACC 2011*, page 6, San Francisco, Californie, États-Unis, July 2011.
- [172] Carlos Canudas De Wit (2012). Best-effort Highway Traffic Congestion Control via Variable Speed Limits. In *50th IEEE Conference on Decision and Control and European Control Conference (IEEE CDC-ECC 2011)*, page s/n, Orlando, Floride, États-Unis, December 2011.
- [173] Irinel Constantin Morarescu and Carlos Canudas De Wit (2011). Highway traffic model-based density estimation. In *2011 American Control Conference - ACC 2011*, page S/N, San Francisco, Californie, États-Unis, July 2011.
- [174] Javier Tordesillas, Valentina Ciarla, and Carlos Canudas De Wit. Oscillation annealing and driver/tire load torque estimation in Electric Power Steering Systems. In *2011 IEEE Multi-Conference on Systems and Control (MSC 2011)*, page s/n, Denver, Colorado, États-Unis, September 2011.
- [175] Nicolas Cardoso De Castro, Carlos Canudas De Wit, and Federica Garin (2012) Energy-aware wireless networked control using radio-mode management. In *2012 American Control Conference (ACC 2012)*, Montréal, Canada, March 2012.
- [176] Nicolas Cardoso De Castro, Daniel E. Quevedo, Federica Garin, and Carlos Canudas De Wit (2012). Smart Energy-Aware Sensors for Event-Based Control (IEEE CDC'12). In *51th IEEE Conference on Decision and Control (CDC 2012)*, Maui, Hawaii, USA, Dec 2012.
- [177] Carlos Canudas De Wit, Federica Garin, Ruggero Fabbiano, Pierre Rouchon, and Antoine Rousseau (2012). Source localization using Poisson integrals. In *NecSys - 3rd IFAC workshop on distributed estimation and control in networked systems - 2012*, Santa Barbara, États-Unis, July 2012.

- [178] Dominik Pisarski and Carlos Canudas De Wit (2012). Analysis and Design of Equilibrium Points for the Cell-Transmission Traffic Model. In *2012 American Control Conference (ACC 2012)*, Montreal, Canada, April 2012.
- [179] Dominik Pisarski and Carlos Canudas De Wit (2012) Optimal Balancing of Road Traffic Density Distributions for the Cell Transmission Model. *51th IEEE Conference on Decision and Control (CDC 2012)*, Maui, Hawaii, United States, Dec. 2012.
- [180] Carlos Canudas De Wit and Leon Ojeda, L.and Kinbangou Y. (2012). Graph constrained-CTM observer design for the Grenoble south ring. In *13-th IFAC Symposium on Control in Transportation Systems*, Sofia, Bulgaria, September, 2012.
- [181] Valentina Ciarla, Violaine Cahouet, Carlos Canudas De Wit, and Franck Quaine (2012). Additional material for the paper : "Genesis of booster curves in Electric Power Assistance Steering Systems", ITSC2012. In *15th IEEE Intelligent Transportation Systems Conference 2012 (ITSC 2012)*, page 2, Anchorage, Alaska, États-Unis, September 2012.
- [182] Leon Ojeda, Luis and Canudas-de-Wit, Carlos and Kibangou, Alain Y. (2013), Adaptive Kalman Filtering for Multi-Step ahead Traffic Flow Prediction. *American Control Conference (ACC 2013)*, Washington, United States, June 2013.
- [183] Leon Ojeda, Luis and Canudas-de-Wit, Carlos and Kibangou, Alain Y. (2013), Online Dynamic Travel Time Prediction using Speed and Flow Measurements. *12th European Control Conference (ECC 2013)*, Invited session. Zurich, Switzerland, July 2013.
- [184] Giovanni De Nunzio, Carlos Canudas-de-Wit, Philippe Moulin, Domenico Di Domenico (2013). Eco-Driving in Urban Traffic Networks using Traffic Signal Information. *52nd IEEE Conference on Decision and Control (CDC 2013)*. Firenze, Italy, December 2013.
- [185] Dominik Pisarski and Carlos Canudas-de-Wit (2013) Optimal Balancing of Traffic Density : Application to the Grenoble South Ring. *12th European Control Conference (ECC 2013)*, Invited session. Zurich, Switzerland, July 2013.
- [186] Fabio Morbidi, Luis Leon Ojeda, Carlos Canudas-de-Wit, Iker Bellicot (2014). A New Robust Approach for Highway Traffic Density Estimation In : *Proceedings of the 13th European Control Conference ECC14*, June 2014, Strasbourg, France.
- [187] Giovanni De Nunzio, Carlos Canudas-de-Wit, Philippe Moulin (2014). Urban Traffic Eco-driving : A Macroscopic Steady-State Analysis. In : *Proceedings of the 13th European Control Conference ECC14*, June 2014, Strasbourg, France.
- [188] Ruggero Fabbiano, Carlos Canudas-de-Wit, Federica Garin (2014) Distributed Source Localisation with no Position Information. In : *Proceedings of the 13th European Control Conference ECC14*, June 2014, Strasbourg, France.
- [189] Giovanni De Nunzio, Carlos Canudas-de-Wit and Philippe Moulin (2014) Urban Traffic Eco-Driving : Speed Advisory Tracking To appear at : *the 53rd IEEE Conference on Decision and Control*, Dec. 2014, Los Angeles, USA.

Brevets

- [1] Canudas-de-Wit C., Ramirez J., Georges D. “Minimum energy regulation system for an asynchronous motor by field oriented control .” Publication info :US6239574 (B1)2001-05-29 ; Priority date :1998-05-20 (Transfère à Schneider Electric Ind SA [US]).
- [2] Nguyen-Phuoc V.T. , Youssef A. , Canudas-de-Wit C. “Limitation instantanée du courant dans les variateurs de vitesse des machines électriques”. Publication info : FR2818826 (A1) 2002-06-28. Priority date : 2000-12-27. Others numbers : EP1229637 ; US2002093308-A1 ; JP2002238292-A ; US6680599-B2. Cadre contractuelle avec Schneider Electric Ind SA [FR]
- [3] Bechart H., Claeys X., Canudas-de-Wit C. “Système de pilotage de l’actionneur de Direction d’un véhicule automobile”. N/Ref 015172. Publication info : FR2795377 (A1) 2000-12-29. Priority date : 1999-06-24 Cadre contractuelle avec : RENAULT VEHICULES IND [FR].
- [4] Xavier Claeys, Guillaume Torres, and Carlos Canudas De Wit. Système de direction assistée de véhicule avec restitution d’efforts (Power steering system for vehicle, has steering angle assisting actuator and force restoring actuator that are controlled by torque and wireless operation rules executing modules), Publication info :FR2873343 (A1) 2006-01-27 . Priority date :2004-07-22. Applicant :RENAULT SAS [FR].
- [5] Hubert Bechart, Carlos Canudas De Wit, Pietro Dolcini, and Beatrice Gondre. Procédé d’aide à la synchronisation d’un embrayage, Publication info : FR2900999 (A1)2007-11-16. Priority date :2006-05-12. Applicant :RENAULT SAS [FR]
- [6] Hubert Bechart, Carlos Canudas De Wit, and Pietro Dolcini Method For Controlling The Engine Torque Of An Automotive Vehicle While Changing Gears, Publication info : WO2008078019 (A1) 2008-07-03. Priority date :2006-12-22. Applicant :RENAULT SAS [FR]
- [7] Carlos Canudas De Wit, Xavier Claeys, Pothin Richard and Julien Coudon. Fly-wheel parasitic torque compensating device for vehicle, has calculating unit providing compensation torque signal based on input signals of castor angle and external efforts of front axle to compensate effect of torque in fly wheel., Publication info :FR2898570 (A1)2007-09-21. Priority date : 2006-03-16. Applicant : RENAULT SAS [FR]
- [8] Carlos Canudas De Wit, Xavier Claeys, and Julien Coudon. Vehicle wheel castor angle controlling device, has steering system modeled based on buckle system, and wheels whose castor angle varies at given speed, with respect to reduction ratio of steering of vehicle for given constant feedback gain, Publication info :FR2897828 (A1) 2007-08-31. Priority date : 2006-02-28. Applicant : RENAULT SAS [FR]
- [9] Plothin, R., Moreaux F. Coudron J., Canudas-de-Wit, C. “Procédé et dispositif de compensation des variations de couple”.Publication info :FR2896753 (A1) 2007-08-03. Priority date :2006-01-27. Applicant : RENAULT SAS [FR].
- [10] Carlos Canudas De Wit, Xavier Claeys, Julien Coudon, and R. Pothin. Method And Device For Controlling The Steering Of A Vehicle, WO2008062121 (A1) 2008-05-29. Priority date : 2006-11-21. Applicant :RENAULT SAS [FR].

- [11] Carlos Canudas De Wit and Carolina Albea-Sanchez. Digital control device for a parallel pmos transistor board, Publication info : US2011295441 (A1)2011-12-01. Priority date : 2008-12-22. Applicant : CNRS and INP.

Rapports

- [1] Claeys X., Canudas-de-Wit C., Bechart H. “Modelisation Et Commande De L’Actionneur De Direction Des Poids Lourds”. Rapport de contrat INPG-RENAULT 9LS4. Rapport confidentiel.
- [2] Olguin Diaz E., Canudas-de-Wit C., Perrier M. “Nonlinear Control Of An Underwater Vehicle/Manipulator System With Composite Dynamics : Appendix”. Rapport interne.
- [3] Canudas-de-Wit C. “Robust Control Design And Auto-Tunned Pid-Regulators For Drives”. CNRS/ILL collaboration research projet 721585.
- [4] Canudas-de-Wit C. “Control Design For An Electro-Power Steering System”. Research Projet Asco021 (collaboration with Renault).
- [5] Ramirez, J.-J., Avila Vilchis J.C., Canudas-de-Wit C., “ Vehicle Trajectory Predictor With 3D Dynamic Tire/Road Friction Forces”, Report de contrat : ARCOS-Report AP02-207. Dec. 2002
- [6] Martinez, J.-J., Avila Vilchis J.C., Canudas-de-Wit C. “A New Bicycle Model With 3D Dynamic Tire/Road Friction Forces”. Report de contrat : ARCOS-Report, AP02-206. Fevrier 2003.
- [7] Attia S.A., Alamir M., Canudas-de-Wit C., “ Voltage collapse avoidance in power systems : a receding horizon approach”. Notes internes, 2004 rapport contrat projet européen CC (Computation and Control) NI04-120.
- [8] Alireza Farhadi and Carlos Canudas-de-Wit. Multi - level classification and formulation of an integration framework for estimation/ communication/ computation (EC2) co-design. *FeedNet-Back advanced report*, pages 1–39, July 2010.
- [9] C. Canudas-de-Wit, F. Morbidi, L. León Ojeda, A.Y. Kibangou, I. Bellicot, P. Bellemain Grenoble Traffic Lab : An experimental platform for advanced traffic monitoring and control. *IEEE Control Systems Magazine*, July 2014, submitted Draft available at <http://necs.inrialpes.fr/pages/grenoble-traffic-lab.php> following the link **survey paper**
- [10] D. Pisarski and C. Canudas-de-Wit, ”Nash Game Based Distributed Control Design for Balancing of Traffic Density over Freeway Networks”, Under review on *IEEE Trans. on Control of Network Systems*, April (2014).
- [11] F. Morbidi and C. Canudas-de-Wit ”A Linear Markov Jump Filter for Robust Highway Traffic Density Estimation”, Submitted to *Transportation Research Part B*, August (2014)